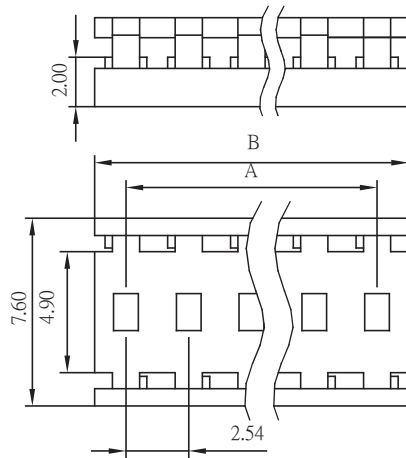
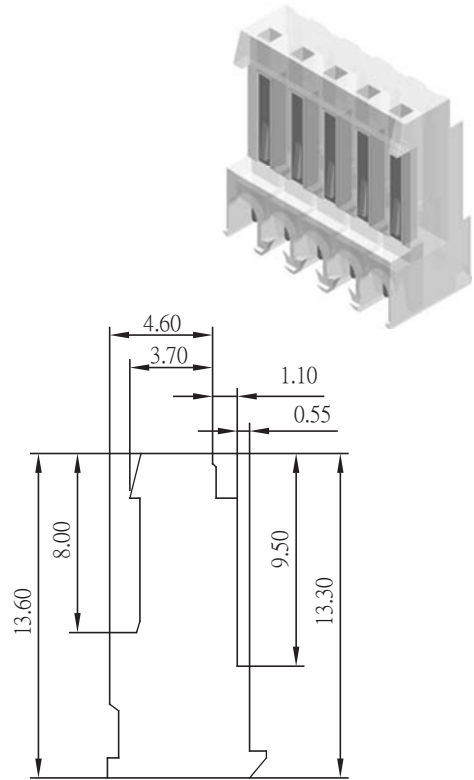
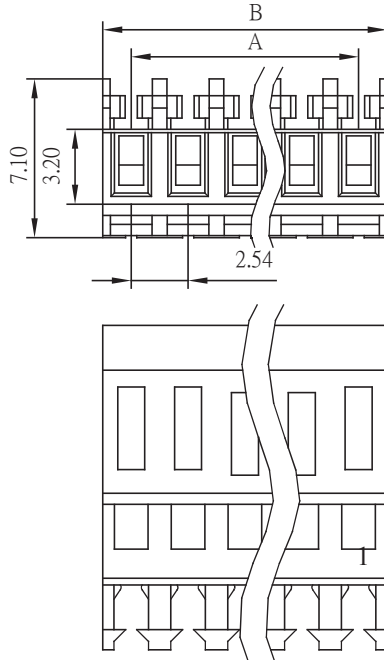


2.54mm Housing IDC Type & Cover

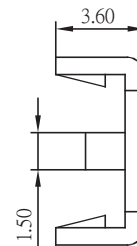
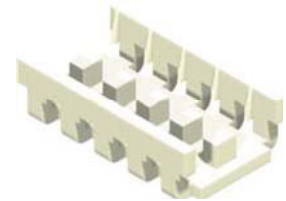
Specifications
 Current Rating: 3A AC,DC
 Voltage Rating: 250V AC,DC
 Temperature Range: -40°C to +105°C
 Contact Resistance: 20mΩ Max
 Insulation Resistance: 1000MΩ Min
 Withstanding Voltage: 1000V AC/minute
 Terminal: Copper Alloy / Tin Plated
 Material: Nylon 66, UL94V-0

Housing Wafer Terminal

No. of Contacts	Dimensions	
	A	B
2	2.54	5.08
3	5.08	7.62
4	7.62	10.16
5	10.16	12.70
6	12.70	15.24
7	15.24	17.78
8	17.78	20.32
9	20.32	22.86
10	22.86	25.40
11	25.40	27.94
12	27.94	30.48
13	30.48	33.02
14	33.02	35.56
15	35.56	38.10
16	38.10	40.64
17	40.64	43.18
18	43.18	45.72
19	45.72	48.26
20	48.26	50.80
21	50.80	53.34
22	53.34	55.88
23	55.88	58.42
24	58.42	60.96
25	60.96	63.50
26	63.50	66.04
27	66.04	68.58
28	68.58	71.12



COVER



Part No.:2540IDC-CXX-L

ORDER INFORMATION

2 5 4 0 I D C - X X X - L

Ⓞ:Standard Recommend

No. of contacts per row
(02-28)

ⓄT: Tin Plated	
G: Gold Flash	S: Selective
GA: 5u"	SA: 5u"
GB: 10u"	SB: 10u"
GC: 20u"	SC: 20u"
GD: 30u"	SD: 30u"

W: Nylon natural
 B: Black insulator
 U: Blue insulator
 R: Red insulator
 G: Green insulator

22: 22 AWG
 24: 24 AWG
 26: 26 AWG
 28: 28 AWG

L: RoHS + Nylon 66