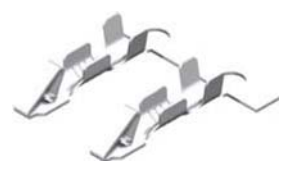
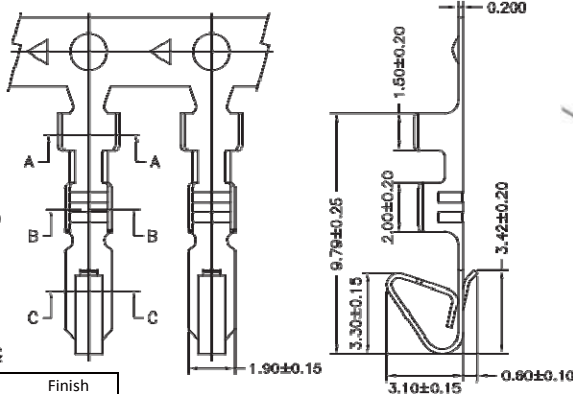
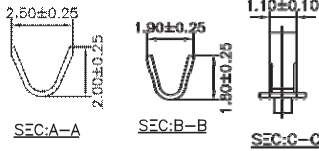


2.54mm Terminal / Housing / Wafer Right Angle & Straight Type

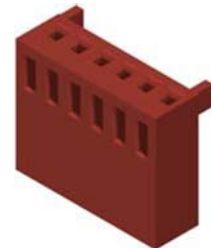
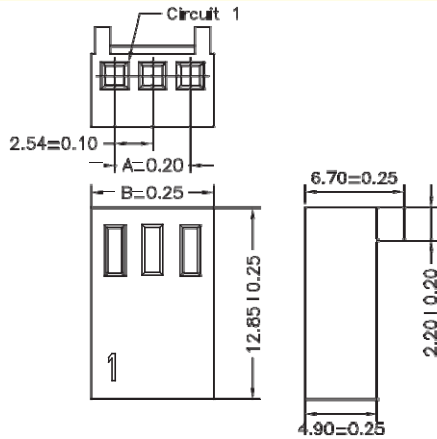
Specifications
 Current Rating: 4A AC,DC
 Voltage Rating: 250V AC,DC
 Temperature Range: -25°C to +85°C
 Contact Resistance: 10mΩ Max
 Insulation Resistance: 1000MΩ Min
 Withstanding Voltage: 1500V AC/minute
 Terminal: Brass / Tin Plated
 Material: Nylon 66, UL94V-2



Part No.	Wire Range	Insulation O.D.	Material	Finish
2542-TTB-L	#24-#30	1.57mm(Max)	Brass	Tin Plated
2542-TGB-L				Gold Plated
2542-TTP-L			Phosphor Bronze	Tin Plated

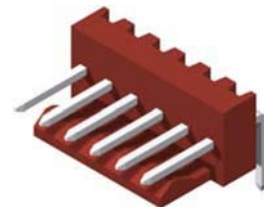
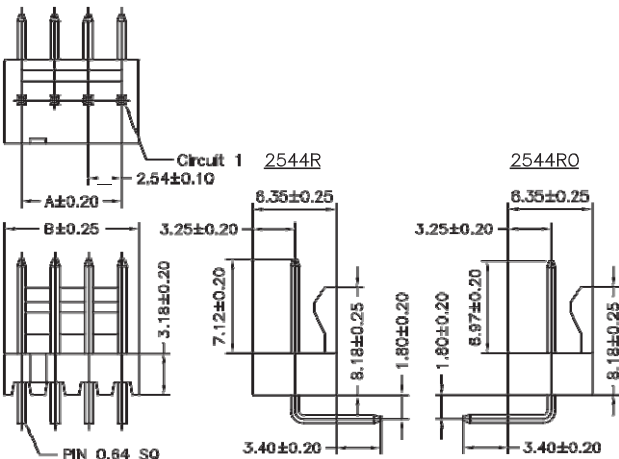
Part No.:2542-T-L

No. of Contacts	Dimensions		No. of Contacts	Dimensions	
	A	B		A	B
2	2.54	5.68	12	27.94	31.08
3	5.08	8.22	13	30.48	33.62
4	7.62	10.76	14	33.02	36.16
5	10.16	13.30	15	35.56	38.70
6	12.70	15.84	16	38.10	41.24
7	15.24	18.38	17	40.64	43.78
8	17.78	20.92	18	43.18	46.32
9	20.32	23.46	19	45.72	48.86
10	22.86	26.00	20	48.26	51.40
11	25.40	28.54			

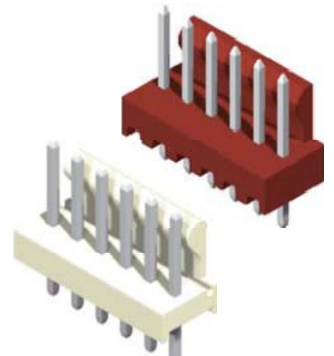
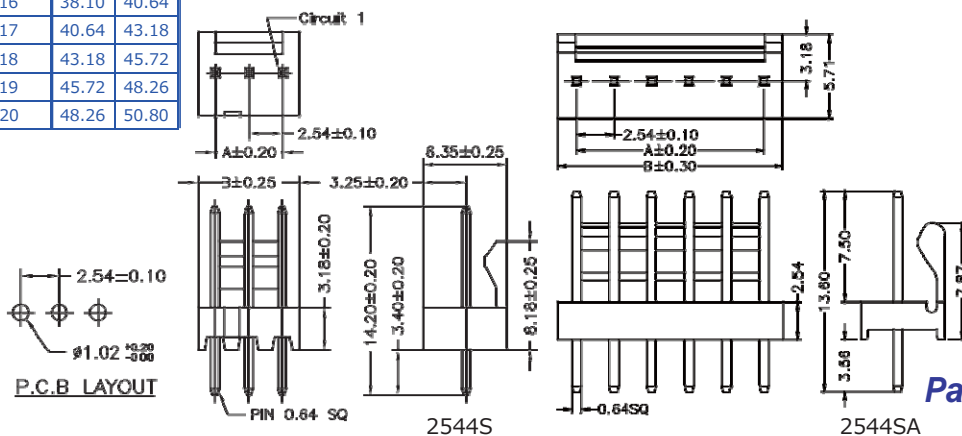


Part No.:2544H-XXR-L

No. of Contacts	Dimensions	
	A	B
2	2.54	5.08
3	5.08	7.62
4	7.62	10.16
5	10.16	12.70
6	12.70	15.24
7	15.24	17.78
8	17.78	20.32
9	20.32	22.86
10	22.86	25.40
11	25.40	27.94
12	27.94	30.48
13	30.48	33.02
14	33.02	35.56
15	35.56	38.10
16	38.10	40.64
17	40.64	43.18
18	43.18	45.72
19	45.72	48.26
20	48.26	50.80



Part No.:2544R-XXTR-L
2544RO-XXTR-L



Part No.:2544S-XXTR-L
2544SA-XXTW-L