

▶ SWITCH LIGHT LED

6X6 Led type

TOPTek[®]

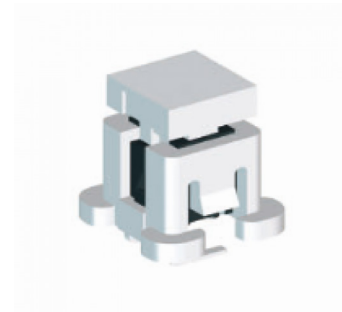
HARDWARE ELECTRONIC COMPONENTS



SPECIFICATION MODEL: T630-X-X

www.toptek-co.com

1	Operating Temperature	-25°C to +85°C
2	Rating	50mA, 30V DC
3	Insulation Resistance	100MΩ min. 250V DC
4	Dielectric Strength	AC250V (50-60Hz) for 1 min.
5	Contact Resistance	100mΩ max.
6	Life	100.000 Cycles Min
7	Operating Force	J:160gf C:250gf
8	Travel	0.25 ± 0.1mm



▶ ORDER INFORMATION

T 6 3 0 - N - X

Led Color
N= Without

Operating Force
J= 160gf
C= 250gf

