

D SUB CONNECTORS

D-SUB H.D. SMT Type



RoHS 2002/95/EC

Specifications

Current Rate: 3 AMP | Insulation Resistance: 1000MΩ Min. | Contact Resistance: 20mΩ Max. | Dielectric Voltage: 500V AC for one minute | Operation Temperature: -55°C to +105°C

Material

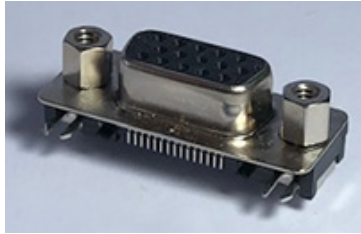
Insulator: Polyester, UL 94V-0 | © Standard: Nylon 6T | Terminal: Copper Alloy

TOPTTEK[®]

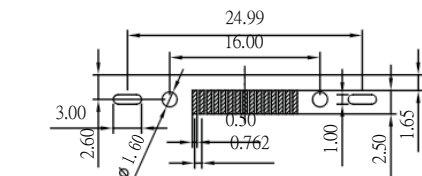
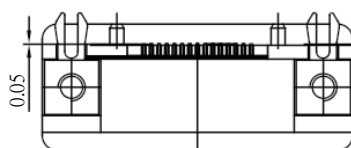
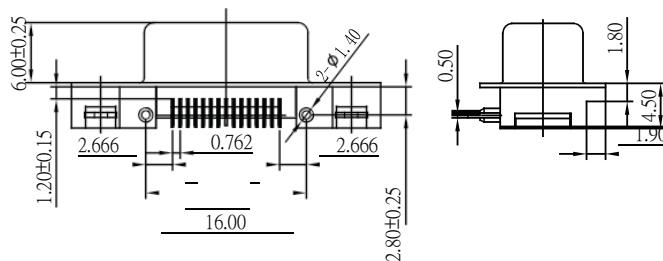
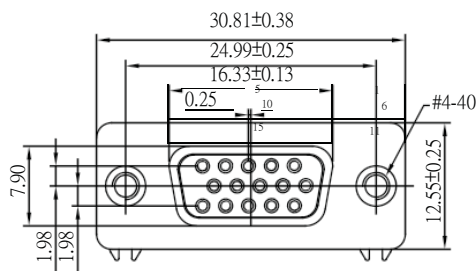
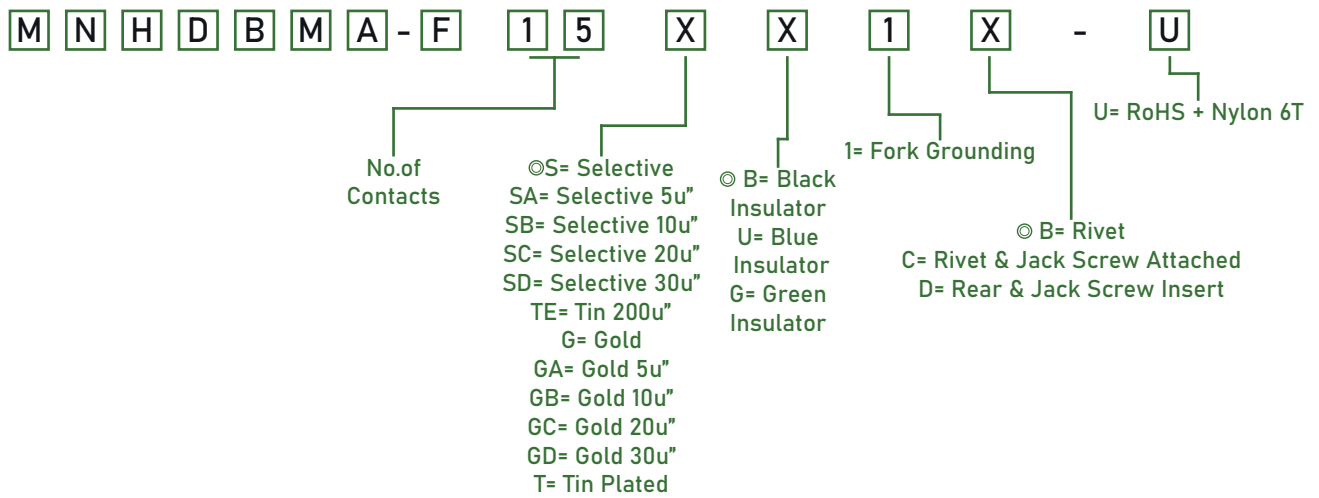
HARDWARE ELECTRONIC COMPONENTS



www.toptek-co.com



ORDER INFORMATION



Pin Number :

6 11 17 12 28 13 39 14 4 10 15 5

Recommended PCB Layout
(PCB TOLERANCE ±0.05)