

D SUB CONNECTORS

D-SUB H.D. Right Angle Type



RoHS 2002/95/EC

Specifications

Current Rate: 3 AMP | Insulation Resistance: 1000MΩ Min. | Contact Resistance: 20mΩ Max. | Dielectric Voltage: 500V AC for one minute | Operation Temperature: -55°C to +105°C

Material

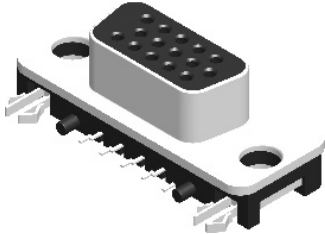
Insulator: Polyester, UL 94V-0 | © Standard: PBT | Terminal: Copper Alloy

TOPTTEK®

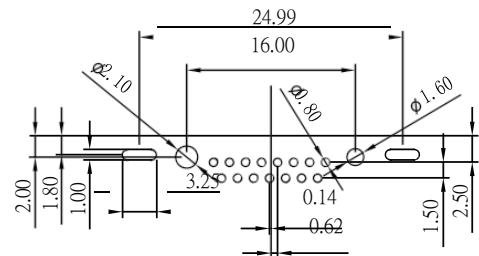
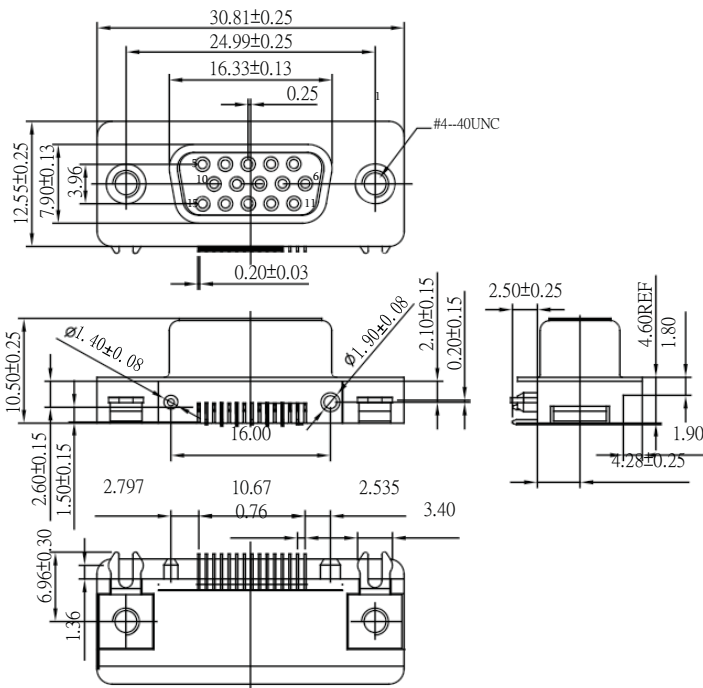
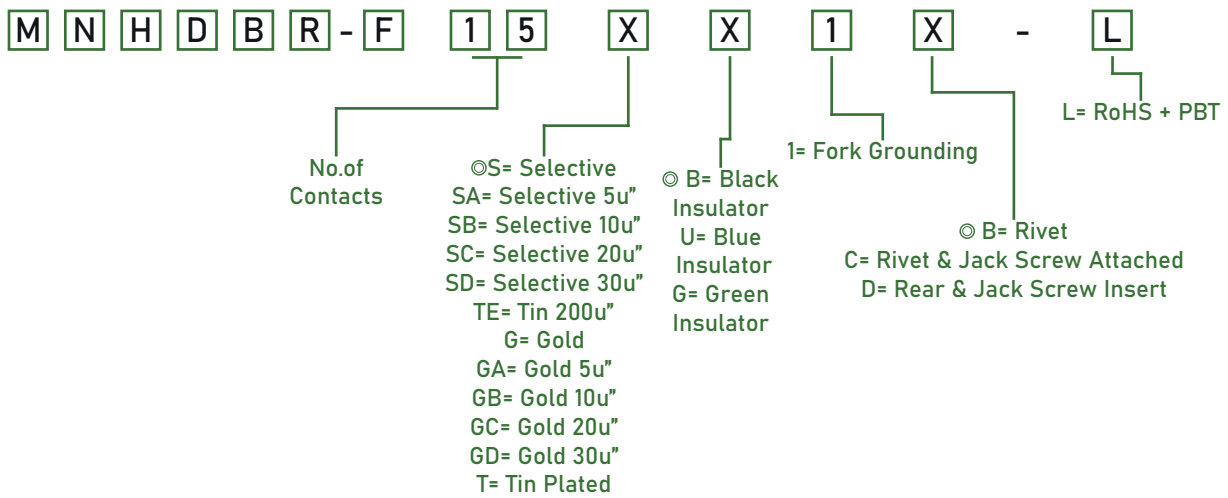
HARDWARE ELECTRONIC COMPONENTS



www.toptek-co.com



ORDER INFORMATION



Pin Number : 6 11 2 8 13 4 10 15
1 7 12 3 9 14 5

Recommended PCB Layout
(PCB TOLERANCE ±0.05)