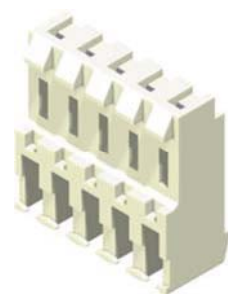
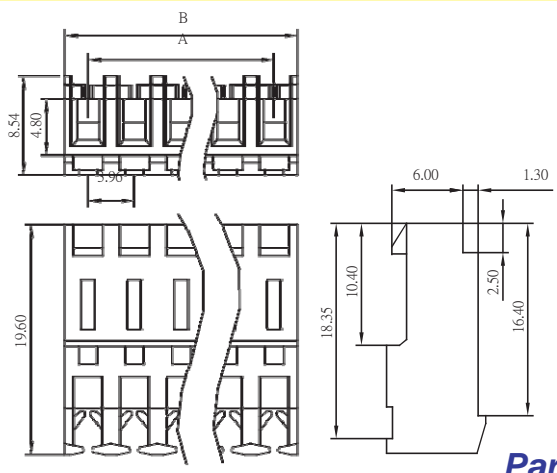


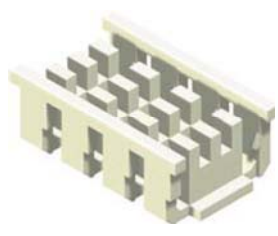
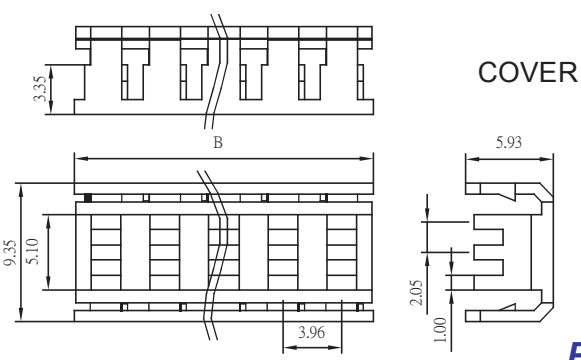
3.96mm Housing IDC Type & Cover

Specifications
 Current Rating: 5A AC,DC
 Voltage Rating: 250V AC,DC
 Temperature Range: -25°C to +85°C
 Contact Resistance: 10mΩ Max
 Insulation Resistance: 1000MΩ Min
 Withstanding Voltage: 1500V AC/minute
 Material: Nylon 66,UL94V-2

No. of Contacts	Dimensions		No. of Contacts	Dimensions	
	A	B		A	B
2	3.96	7.92	14	51.48	55.44
3	7.92	11.88	15	55.44	59.40
4	11.88	15.84	16	59.40	63.36
5	15.84	19.80	17	63.36	67.32
6	19.80	23.76	18	67.32	71.28
7	23.76	27.72	19	71.28	75.24
8	27.72	31.68	20	75.24	79.20
9	31.68	35.64	21	79.20	83.16
10	35.64	39.60	22	83.16	87.12
11	39.60	43.56	23	87.12	91.08
12	43.56	47.52	24	91.08	95.04
13	47.52	51.48	25	95.04	99.00



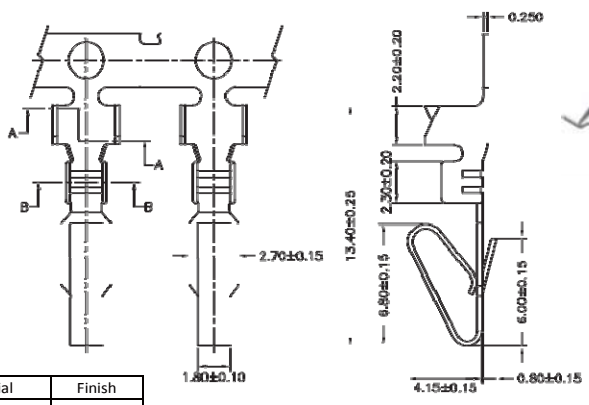
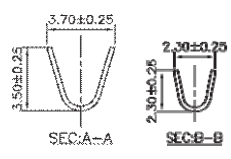
Part No.:3960IDC-XX-L



Part No.:3960IDC-CXX-L

3.96mm Terminal / Housing

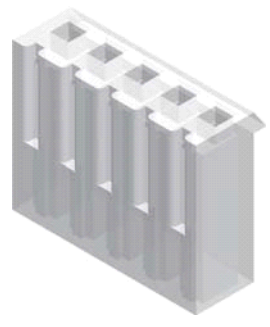
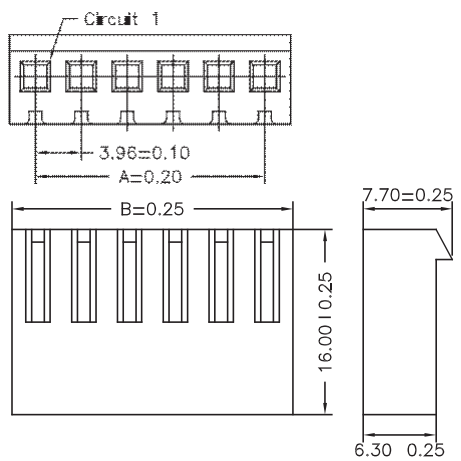
Specifications
 Current Rating: 7A AC,DC
 Voltage Rating: 250V AC,DC
 Temperature Range: -25°C to +85°C
 Contact Resistance: 10mΩ Max
 Insulation Resistance: 1000MΩ Min
 Withstanding Voltage: 1500V AC/minute
 Material: Nylon 66,UL94V-2



Part No.	Wire Range	Insulation O.D.	Material	Finish
3961-TTB-L	#18-#24	2.80mm(Max)	Brass	Tin Plated
3961-TGB-L				Gold Plated

Part No.:3961-T-L

No. of Contacts	Dimensions	
	A	B
2	3.96	8.43
3	7.92	12.39
4	11.88	16.35
5	15.84	20.31
6	19.80	24.27
7	23.76	28.23
8	27.72	32.19
9	31.68	36.15
10	35.64	40.11
11	39.60	44.07
12	43.56	48.03
13	47.52	51.99
14	51.48	55.95
15	55.44	59.91
16	59.40	63.87
17	63.36	67.83
18	67.32	71.79
19	71.28	75.75
20	75.24	79.71



Part No.:3961H-XXW-L