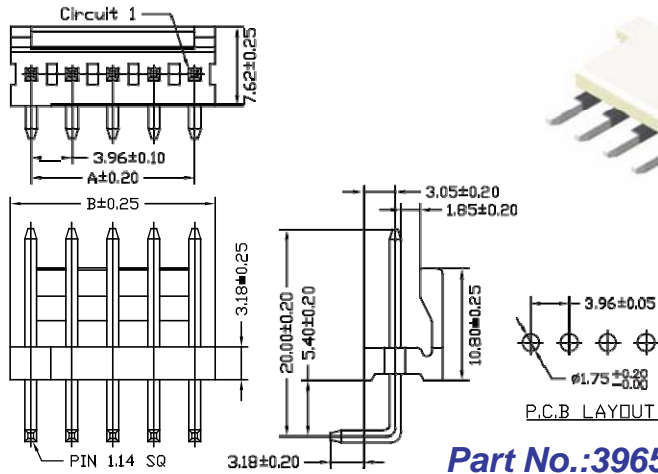


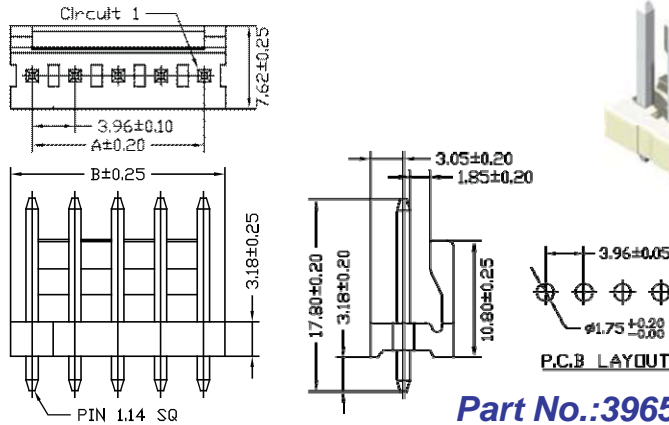
3.96mm Wafer Right Angle & Straight Type / Terminal / Housing

Specifications
 Current Rating: 7A AC,DC
 Voltage Rating: 600V AC,DC
 Temperature Range: -25°C to +85°C
 Contact Resistance: 3mΩ Max
 Insulation Resistance: 5000MΩ Min
 Withstanding Voltage: 2200V AC/minute
 Terminal: Brass / Tin Plated
 Material: Nylon 66, UL94V-0

No. of Contacts	Dimensions	
	A	B
2	3.96	7.92
3	7.92	11.88
4	11.88	15.84
5	15.84	19.80
6	19.80	23.76
7	23.76	27.72
8	27.72	31.68
9	31.68	35.64
10	35.64	39.60
11	39.60	43.56
12	43.56	47.52
13	47.52	51.48
14	51.48	55.44
15	55.44	59.40
16	59.40	63.36
17	63.36	67.32
18	67.32	71.28
19	71.28	75.24
20	75.24	79.20

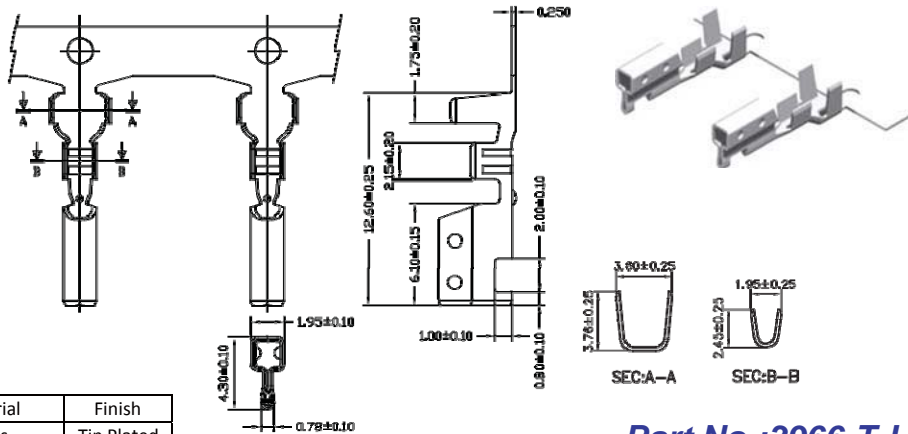


Part No.:3965R-XXTW-L



Part No.:3965S-XXTW-L

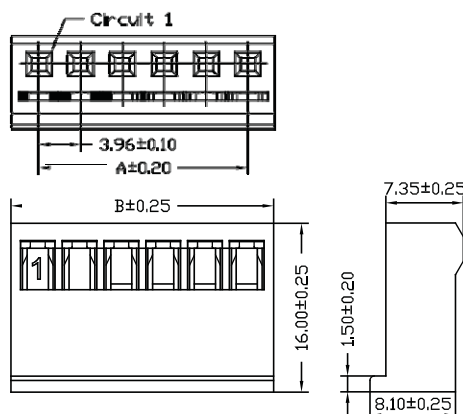
Specifications
 Current Rating: 7A AC,DC
 Voltage Rating: 250V AC,DC
 Temperature Range: -25°C to +85°C
 Contact Resistance: 10mΩ Max
 Insulation Resistance: 1000MΩ Min
 Withstanding Voltage: 1500V AC/minute
 Material: Nylon 66, UL94V-2



Wire Range	Insulation O.D.	Material	Finish
#18-#24	3.20mm(Max)	Brass	Tin Plated

Part No.:3966-T-L

No. of Contacts	Dimensions	
	A	B
2	3.96	9.06
3	7.92	13.02
4	11.88	16.98
5	15.84	20.94
6	19.80	24.90
7	23.76	28.86
8	27.72	32.82
9	31.68	36.78
10	35.64	40.74
11	39.60	44.70
12	43.56	48.66



Part No.:3966H-XXW-L