

▶ PIEZO ELEMENT AND VIBRATOR

piezoelectric ceramic buzzer A3, D33 bimorph plate

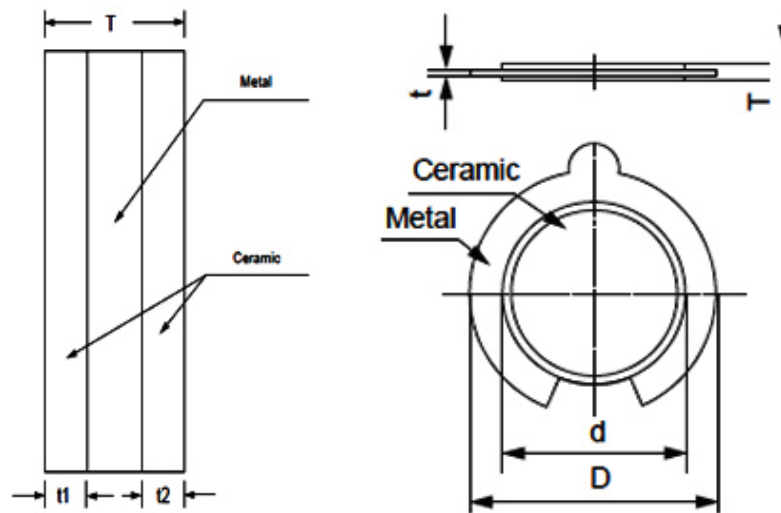
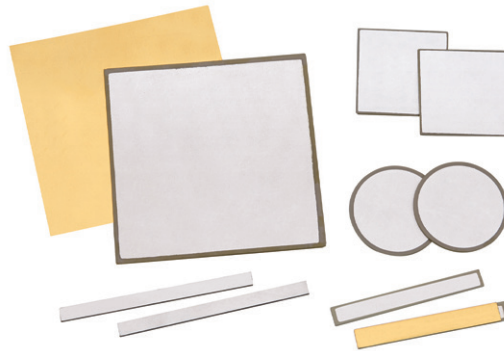
TOPTTEK®

HARDWARE ELECTRONIC COMPONENTS



SPECIFICATIONS MODELS:

www.toptek-co.com



Round shape:

Part No.	Fr(KHz)	Zr(Ω)	C(nF)	Shape	D(mm)	d(mm)	T(mm)	t(mm)	Metal
5T-3.5A3	3.5 \pm 0.5	100	160nF \pm 30%	A3	21.5	20	0.3	0.05	Brass
5T-3.8A3	3.8 \pm 0.5	100	100nF \pm 30%	A3	21.5	20	0.35	0.1	Brass
5T-4.8A3	4.8 \pm 0.5	100	120nF \pm 30%	A3	23.5	22	0.4	0.05	Brass
27T-2.8A3	2.8 \pm 0.5	100	130nF \pm 30%	A3	27	25	0.35	0.2	Brass
35T-2.6A3	2.6 \pm 0.5	100	130nF \pm 30%	A3	35	25	0.35	0.1	Brass
35T-3.2A3	3.2 \pm 0.5	100	130nF \pm 30%	A3	35	25	0.35	0.2	Brass
43T-2.5A3	2.5 \pm 0.5	100	150nF \pm 30%	A3	43	25	0.35	0.1	Brass
43T-4.5A3	4.5 \pm 0.5	100	80nF \pm 30%	A3	43	25	0.65	0.2	Brass
70G-3.0A3	3.0 \pm 0.5	200	600nF \pm 30%	A3	70	50	0.35	0.1	S-steel
70G-4.0A3	4.0 \pm 0.5	300	300nF \pm 30%	A3	70	50	0.54	0.1	S-steel

Square shape:

Part No.	Fr(KHz)	Zr(Ω)	C(nF)	Shape	L*W(mm)or	T(mm)	T1(mm)	t2(mm)	Metal
27T-4.4A33	4.4 \pm 0.5	500	15 \pm 30%	A33	D27 \pm 0.1	0.65 \pm 0.05	0.2 \pm 0.03	0.2 \pm 0.03	Brass
55*55T-7.5D33	7.5 \pm 1.0	500	100 \pm 30%	D33	(55*55) \pm 0.1	0.5 \pm 0.05	0.2 \pm 0.03	0.2 \pm 0.03	Brass
25*25T-3.5D33	3.5 \pm 1.0	500	20 \pm 30%	D33	(25*25) \pm 0.1	0.6 \pm 0.05	0.2 \pm 0.03	0.2 \pm 0.03	Brass
25*25T-3.0D33	3.0 \pm 1.0	500	20 \pm 30%	D33	(25*25) \pm 0.1	0.5 \pm 0.05	0.2 \pm 0.03	0.2 \pm 0.03	Brass
50*3.5T-39D33	39 \pm 5.0	100M	1.8 \pm 30%	D33	(50*3.5) \pm 0.1	1.3 \pm 0.1	0.5 \pm 0.03	0.5 \pm 0.03	Brass