

PIN HEADER 1.0mm

Pin Header 1.0mm 2 Row H=1.0/1.5mm Right Angle Type

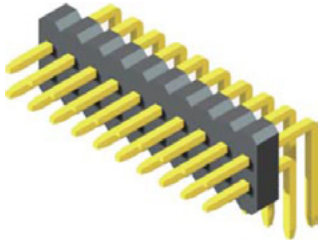


Specifications

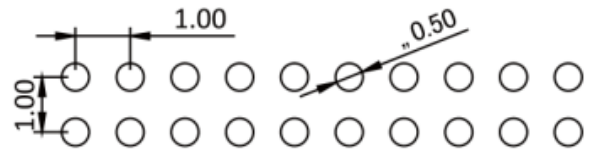
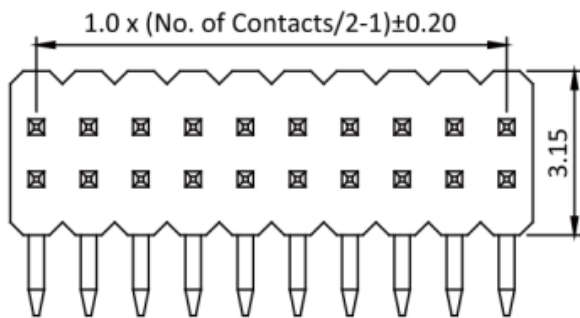
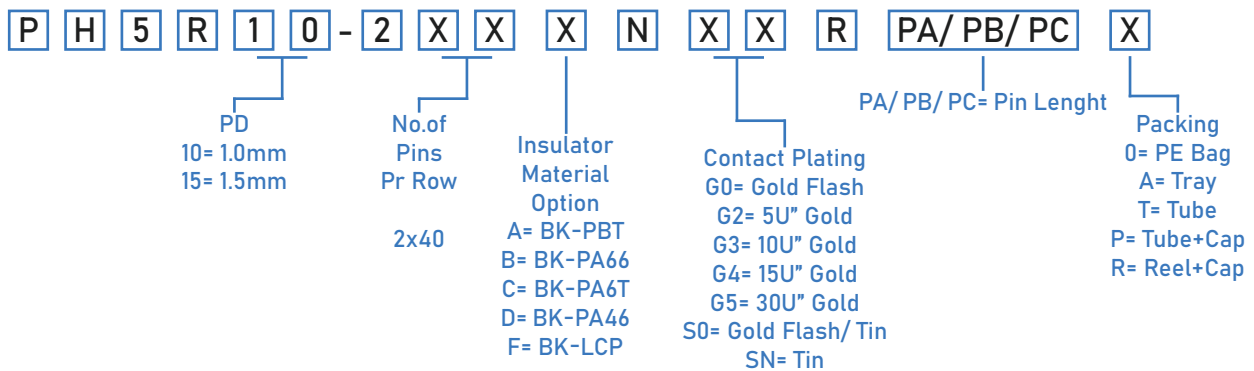
Current Rate: 1 AMP | Insulation Resistance: 1000MΩ | Max. Contact Resistance: 20mΩ |
 Max. Dielectric Voltage: 500V AC for one minute | Operation Temperature: -40°C to +105°C

Material

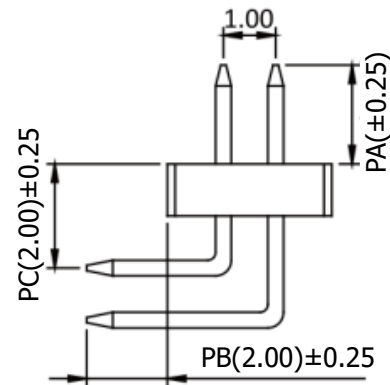
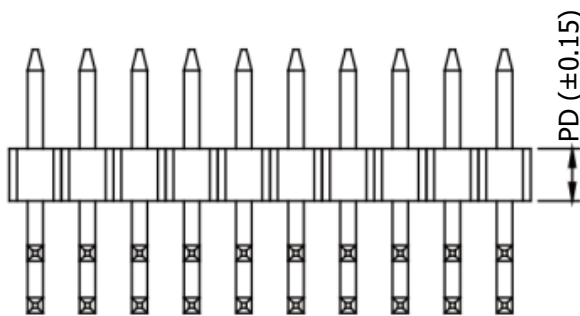
Insulator: Polyester, UL 94V-0 | Standard: Nylon 6T | Terminal: Copper Alloy | Plating: Gold Plated



ORDER INFORMATION



Recommended PCB Layout
(PCB TOLERANCE ±0.05)



PD
1.00mm
1.50mm

ITEM	PA	PC	PB
Standard	1.90	2.00	2.00
Alternate			