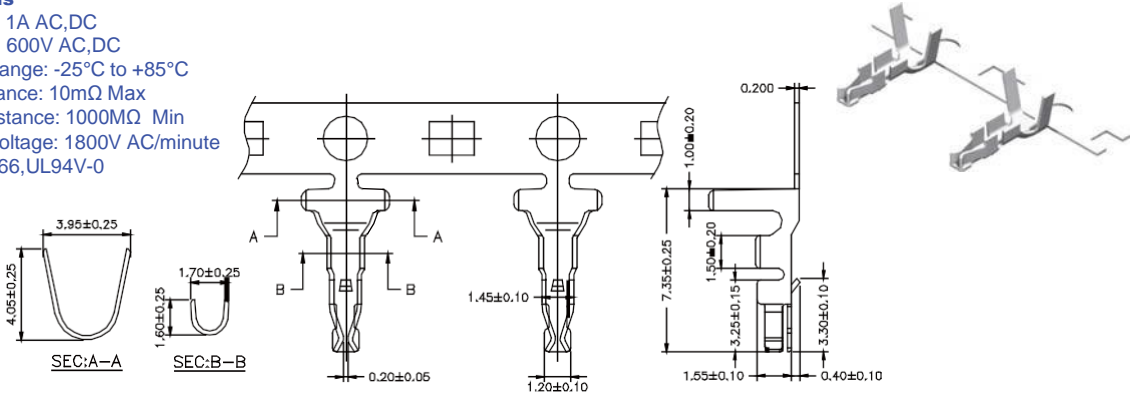


4.0mm LCD Terminal / Housing

Specifications

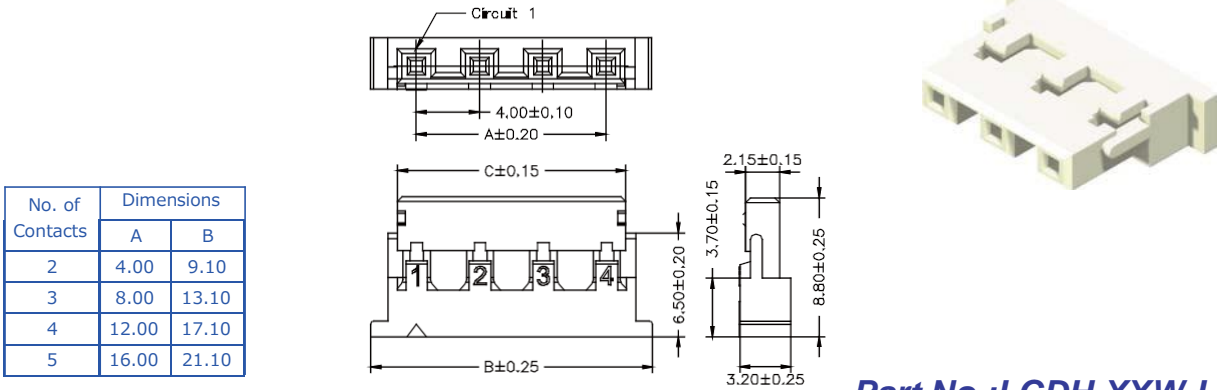
Current Rating: 1A AC,DC
Voltage Rating: 600V AC,DC
Temperature Range: -25°C to +85°C
Contact Resistance: 10mΩ Max
Insulation Resistance: 1000MΩ Min
Withstanding Voltage: 1800V AC/minute
Material: Nylon 66, UL94V-0



Wire Range	Insulation O.D.	Material	Finish
#22-#28	2.40mm(Max)	Phosphor Bronze	Tin Plated

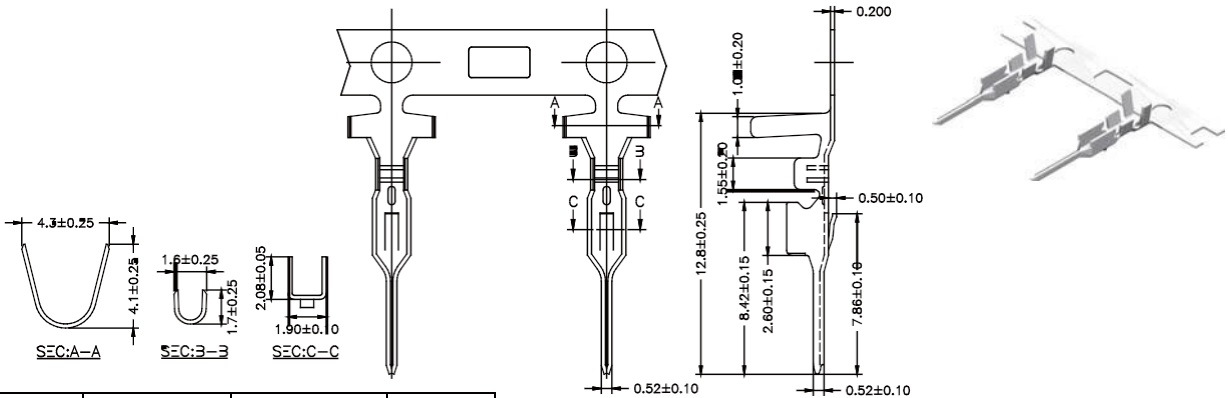
Part No.:LCD-T-L

Housing Wafer Terminal



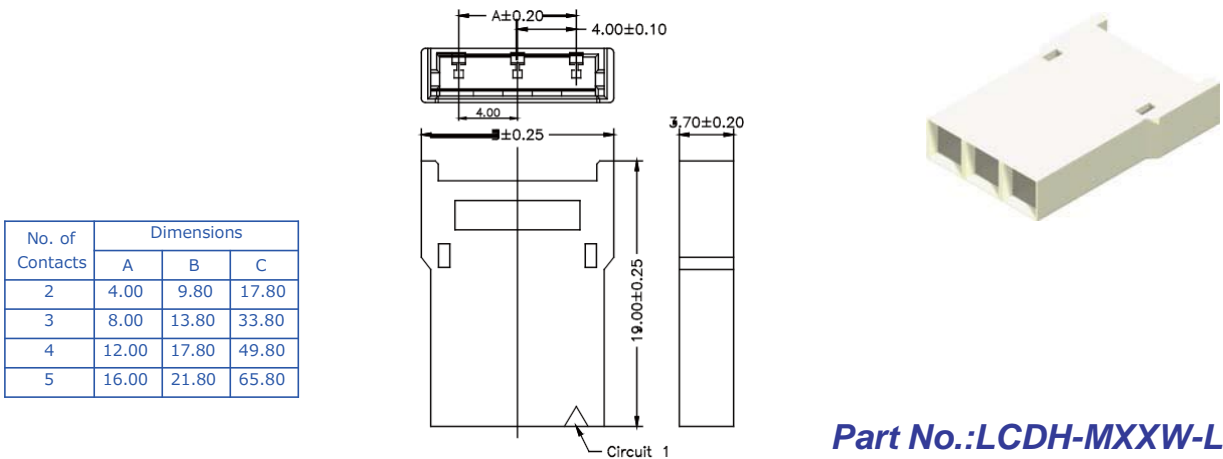
No. of Contacts	Dimensions	
	A	B
2	4.00	9.10
3	8.00	13.10
4	12.00	17.10
5	16.00	21.10

Part No.:LCDH-XXW-L



Wire Range	Insulation O.D.	Material	Finish
#22-#28	2.40mm(Max)	Phosphor Bronze	Tin Plated

Part No.:LCD-MT-L



No. of Contacts	Dimensions		
	A	B	C
2	4.00	9.80	17.80
3	8.00	13.80	33.80
4	12.00	17.80	49.80
5	16.00	21.80	65.80

Part No.:LCDH-MXXW-L