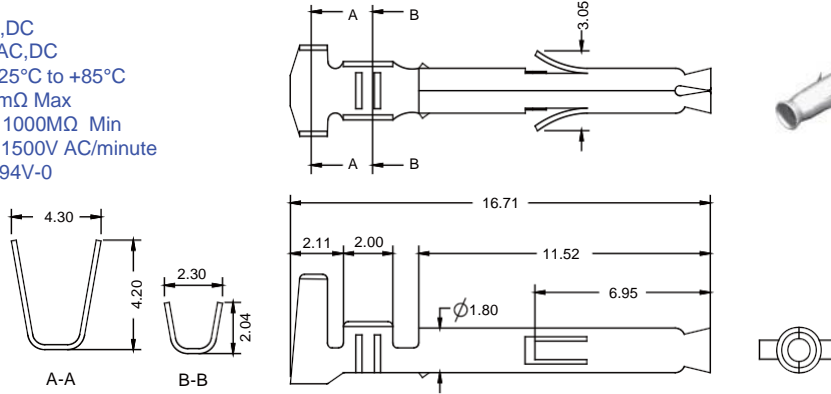


4.14mm Female & Male Terminal / Female & Male Housing

Specifications

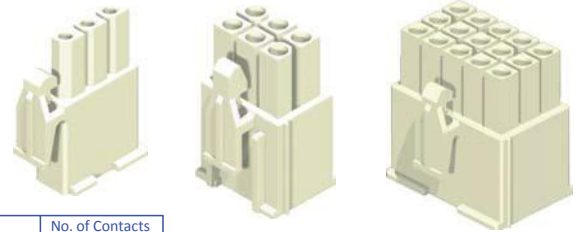
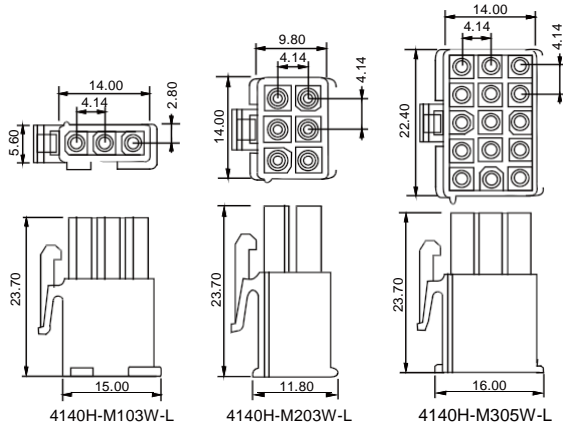
Current Rating: 4A AC,DC
Voltage Rating: 250V AC,DC
Temperature Range: -25°C to +85°C
Contact Resistance: 7mΩ Max
Insulation Resistance: 1000MΩ Min
Withstanding Voltage: 1500V AC/minute
Material: Nylon 66, UL94V-0



Wire Range	Insulation O.D.	Material	Finish
#18-#24	3.20mm(Max)	Brass	Tin Plated

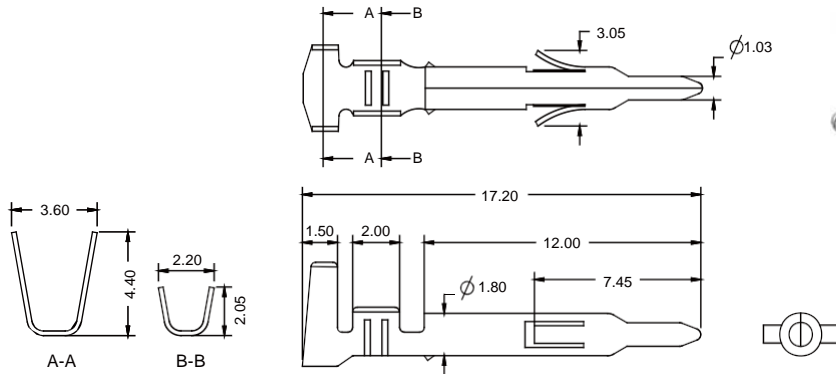
Part No.:4140-FT-L

Housing Wafer Terminal



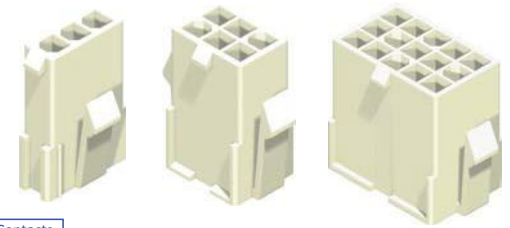
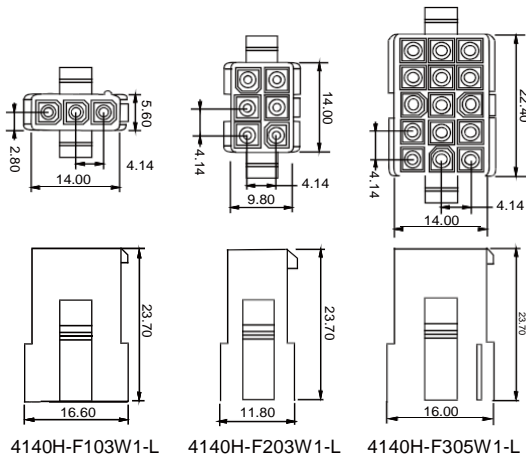
Part No.	No. of Contacts
4140H-M101W-L	1x1
4140H-M102W-L	1x2
4140H-M103W-L	1x3
4141H-M202W-L	2x2
4141H-M203W-L	2x3
4140H-M303W-L	3x3
4140H-M304W-L	3x4
4140H-M305W-L	3x5

Part No.:4140H-MXXXW-L



Wire Range	Insulation O.D.	Material	Finish
#18-#22	3.00mm(Max)	Brass	Tin Plated

Part No.:4140-MT-L



Part No.	No. of Contacts
4140H-F101W-L	1x1
4140H-F102W-L	1x2
4140H-F103W-L	1x3
4141H-F202W-L	2x2
4141H-F203W-L	2x3
4140H-F303W-L	3x3
4140H-F304W-L	3x4
4140H-F305W-L	3x5

Part No.:4140H-FXXXW-L

1:With Ear
2:W/O Ear