

MACHINE PIN SOCKET

Machine Pin Socket IC Right Angle Type 2.54mm

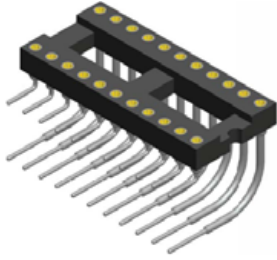


Specifications

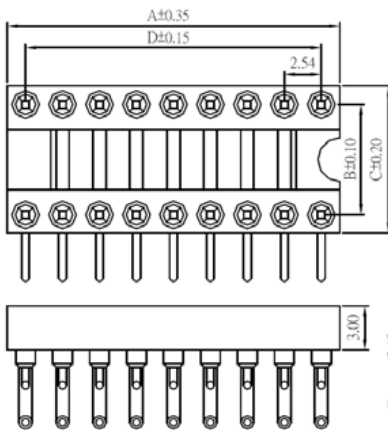
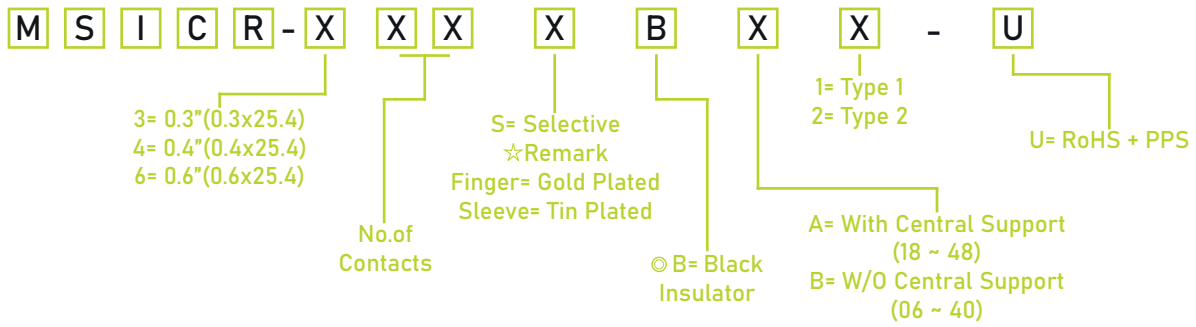
Current Rate: 3 AMP | Insulation Resistance: $\geq 1000M\Omega$ at V=100V | Contact Resistance: $\leq 4m\Omega$ /Contact | Dielectric Voltage: 60V AC for one minute | Operation Temperature: $-40^{\circ}C$ to $+105^{\circ}C$

Material

Insulator: Polyester, UL 94V-0 | © Standard: PPS | Terminal: Copper Alloy | Plated: Gold Plated



ORDER INFORMATION



Part No.	Dim. E
MSICR-XXX-1-U	2.54
MSICR-XXX-2-U	7.62

No. of Contacts	Dim. A	Dim. B	Dim. C	Dim. D	No. of Contacts	Dim. A	Dim. B	Dim. C	Dim. D
6	7.60	7.62	10.20	5.08	24	30.50	15.24	17.70	27.94
8	10.10	7.62	10.20	7.62	28	35.50	15.24	17.70	33.02
10	12.60	7.62	10.20	10.16	32	40.60	15.24	17.70	38.10
14	17.70	7.62	10.20	15.24	36	45.70	15.24	17.70	43.18
16	20.30	7.62	10.20	17.78	40	50.80	15.24	17.70	48.26
18	22.80	7.62	10.20	20.32	42	53.30	15.24	17.70	50.80
20	25.30	7.62	10.20	22.86	48	60.90	15.24	17.70	58.42
22	27.80	7.62	10.20	25.40					
24	30.40	7.62	10.20	27.94					
28	35.50	7.62	10.20	33.02					

0.3" 0.6"