

MACHINE PIN SOCKET

SQ Pin Socket IC Straight Type 2.54mm

TOPTTEK[®]
HARDWARE ELECTRONIC COMPONENTS



RoHS 2002/95/EC

Specifications

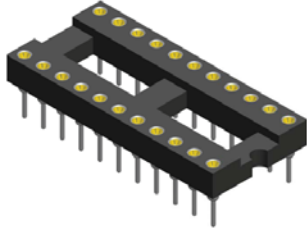
Current Rate: 3 AMP | Insulation Resistance: $\geq 1000\text{M}\Omega$ at V=100V | Contact Resistance: $\leq 4\text{m}\Omega$ /Contact | Dielectric Voltage: 60V AC for one minute | Operation Temperature: -40°C to $+105^\circ\text{C}$

Material

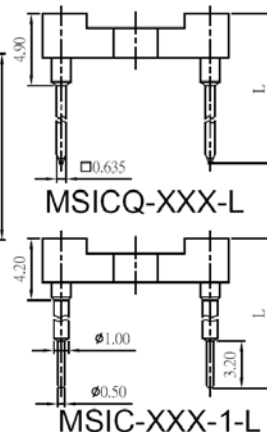
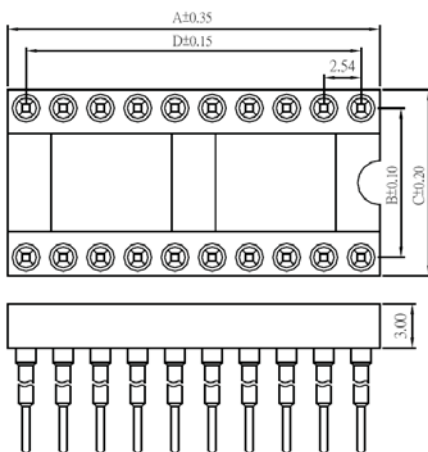
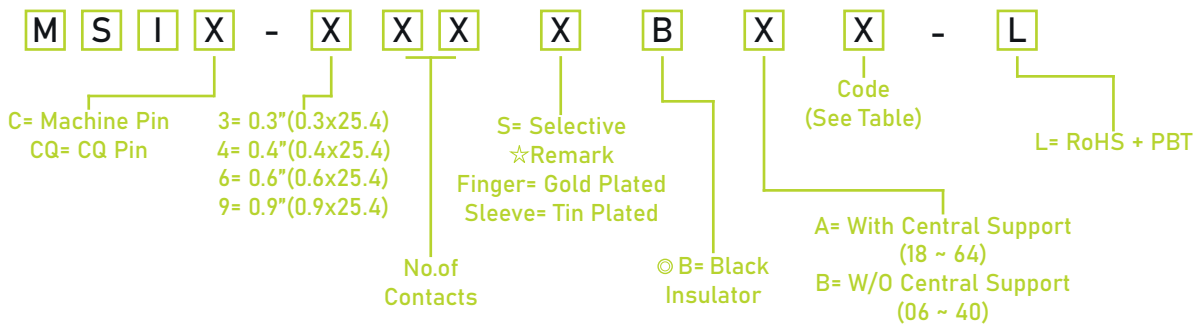
Insulator: Polyester, UL 94V-0 | © Standard: P.B.T | Terminal: Copper Alloy | Plated: Gold Plated



www.toptek-co.com



ORDER INFORMATION



Code	Dim. L
1150	11.50
1430	14.30
1780	17.80
2090	20.90

Code	Dim. L	Code	Dim. L
920	9.20	1520	15.20
1020	10.20	1620	16.20
1120	11.20	1820	18.20
1220	12.20	2120	21.20
1320	13.20	2520	25.20
1420	14.20	3520	35.20

No. of Contacts	Dim. A	Dim. B	Dim. C	Dim. D	No. of Contacts	Dim. A	Dim. B	Dim. C	Dim. D
6	7.60	7.62	10.20	5.08	24	30.48	15.24	17.70	27.94
8	10.16	7.62	10.20	7.62	28	35.56	15.24	17.70	33.02
10	12.60	7.62	10.20	10.16	32	40.60	15.24	17.70	38.10
12	15.20	7.62	10.20	12.70	36	45.70	15.24	17.70	43.18
14	17.78	7.62	10.20	15.24	40	50.80	15.24	17.70	48.26
16	20.32	7.62	10.20	17.78	42	53.30	15.24	17.70	50.80
18	22.86	7.62	10.20	20.32	48	60.90	15.24	17.70	58.42
20	25.40	7.62	10.20	22.86	50	63.50	15.24	17.70	60.96
22	27.80	7.62	10.20	25.40	52	66.00	15.24	17.70	63.50
24	30.48	7.62	10.20	27.94					
28	35.56	7.62	10.20	33.02					
No. of Contacts	Dim. A	Dim. B	Dim. C	Dim. D	No. of Contacts	Dim. A	Dim. B	Dim. C	Dim. D
20	25.40	10.16	12.60	22.86	50	63.50	22.86	25.30	60.96
22	27.80	10.16	12.60	25.40	52	66.00	22.86	25.30	63.50
24	30.48	10.16	12.60	27.94	64	81.20	22.86	25.30	78.74
28	35.56	10.16	12.60	33.02					
32	40.60	10.16	12.60	38.10					