

▶ PLCC SOCKET

PLCC Socket Surface Mount / Thin Type 32 Pin

TOPTTEK[®]

HARDWARE ELECTRONIC COMPONENTS



www.toptek-co.com



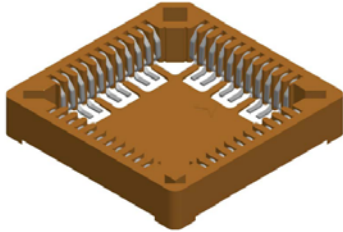
RoHS
2002/95/EC

Specifications

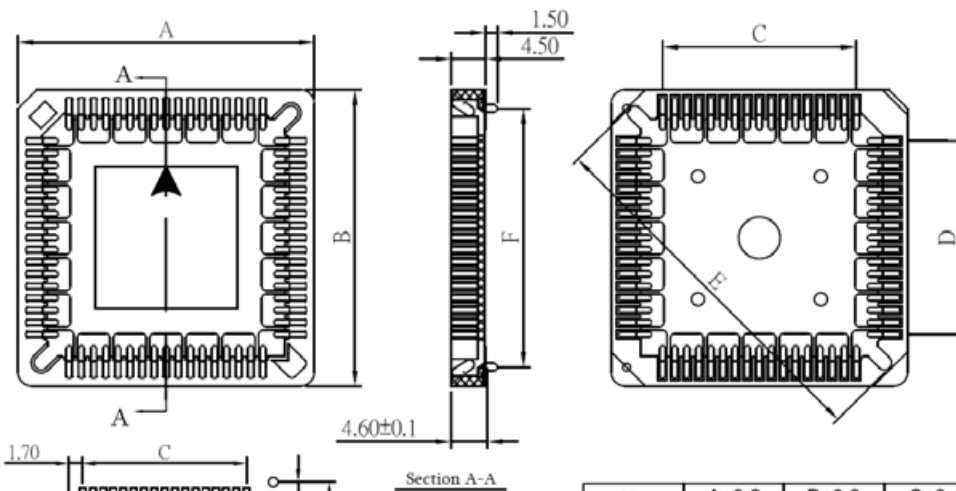
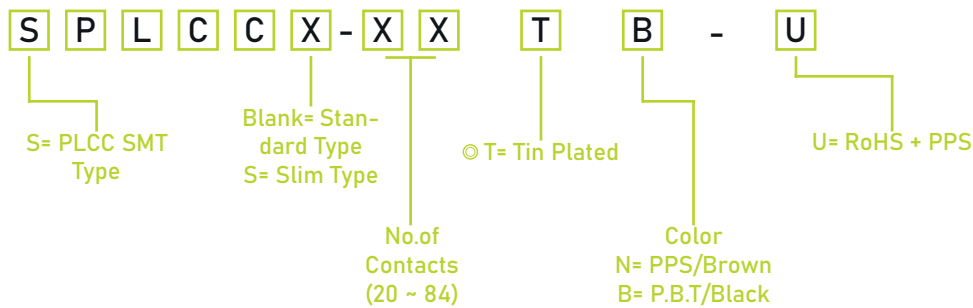
Current Rate: 1 AMP | Insulation Resistance: $\geq 1000\text{M}\Omega$ at V=100V | Contact Resistance: 30m Ω Max | Dielectric Voltage: 600V AC for one minute | Operation Temperature: -50°C to +105°C

Material

Insulator: Hi Temp, UL 94V-0 | © Standard: PPS | Terminal: Copper Alloy | Plated: "Tin Over 40u" Ni



▶ ORDER INFORMATION



No. of Contacts	A ± 0.2	B ± 0.2	C ± 0.1	D ± 0.1	E ± 0.2	F ± 0.2
20	15.66	15.66	5.08	5.08	17.28	12.78
28	18.20	18.20	7.62	7.62	20.87	15.24
32	18.20	20.74	7.62	10.16	22.60	17.78
44	23.28	23.28	12.70	12.70	28.30	20.32
52	25.82	25.82	15.24	15.24	31.65	22.86
68	30.90	30.90	20.32	20.32	38.83	27.94
84	35.98	35.98	25.40	25.40	46.00	33.02

Recommended PCB Layout
(PCB TOLERANCE ± 0.05)