

MACHINE PIN HEADER

Machine Pin Header SMT Type 2.54mm

TOPTTEK[®]

HARDWARE ELECTRONIC COMPONENTS



www.toptek-co.com



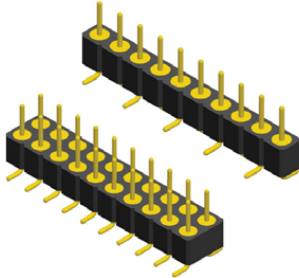
RoHS 2002/95/EC

Specifications

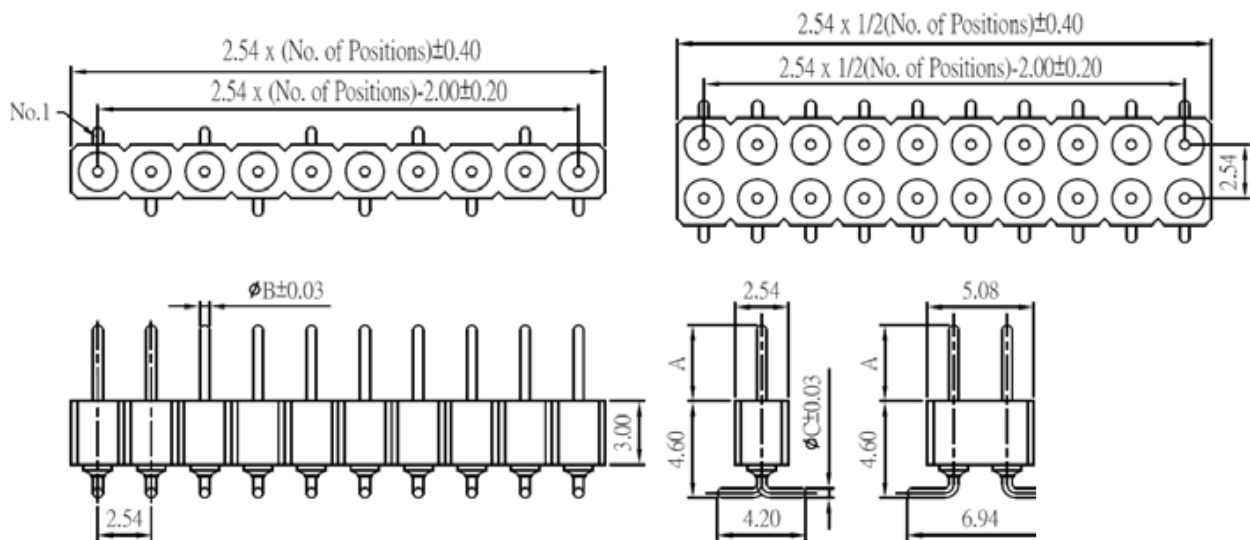
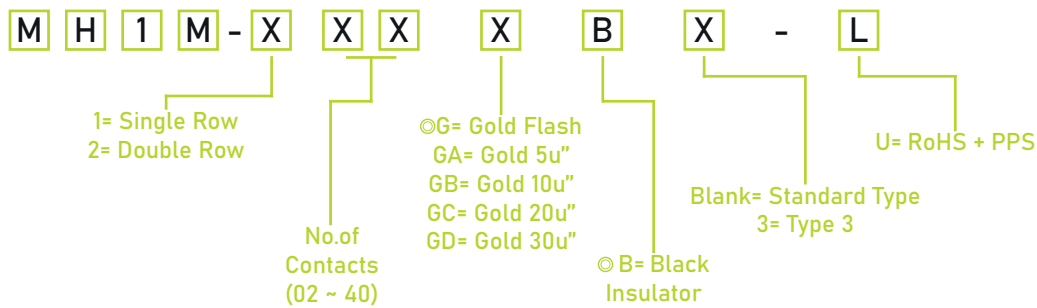
Current Rate: 3 AMP | Insulation Resistance: $\geq 1000\text{M}\Omega$ at $V=100\text{V}$ | Contact Resistance: $\leq 4\text{m}\Omega$ /Contact | Dielectric Voltage: 1000V AC for one minute | Operation Temperature: -40°C to $+105^\circ\text{C}$

Material

Insulator: Polyester, UL 94V-0 | © Standard: PPS | Terminal: Copper Alloy | Plated: Gold Plated



ORDER INFORMATION



Part No.	Dim A	Dim B	Dim C	Dim D
MH1M-1/2XX-U	3.60	0.47	0.47	4.40
MH1M-1/2XX-3-U	5.00	0.76	0.60	4.20