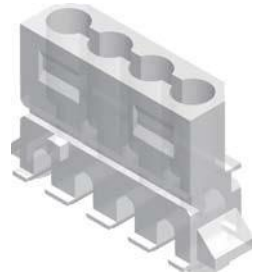
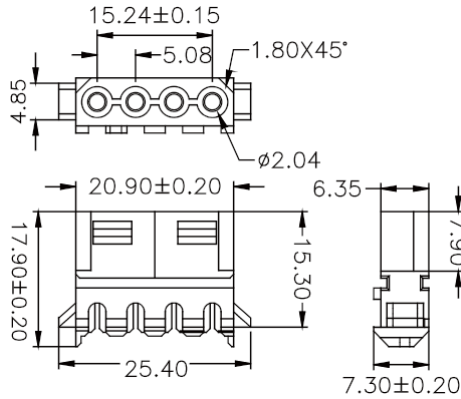


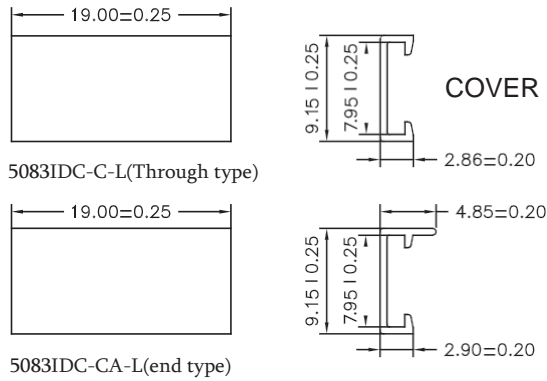
5.08mm Housing IDC Type & Cover

Specifications

Current Rating: 7A AC,DC
Voltage Rating: 250V AC,DC
Temperature Range: -25°C to +85°C
Contact Resistance: 10mΩ Max
Insulation Resistance: 1000MΩ Min
Withstanding Voltage: 1500V
Terminal: Copper Alloy / Tin Plated
Material: Nylon 66,UL94V-2



Part No.:5083IDC-04W -L
18:18 AWG
20:20 AWG
22:22 AWG

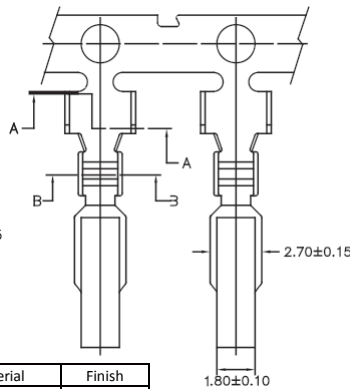
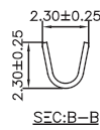
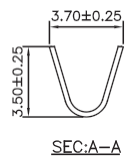


Part No.:5083IDC-C-L

5.08mm Terminal / Male Housing

Specifications

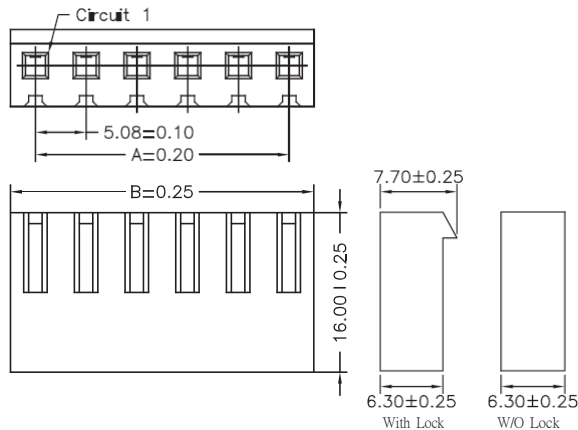
Current Rating: 7A AC,DC
Voltage Rating: 250V AC,DC
Temperature Range: -25°C to +85°C
Contact Resistance: 10mΩ Max
Insulation Resistance: 1000MΩ Min
Withstanding Voltage: 1500V AC/minute
Material: Nylon 66,UL94V-2



| Part No. | Wire Range | Insulation O.D. | Material | Finish |
|------------|------------|-----------------|----------|-------------|
| 3961-TTB-L | #18-#24 | 2.80mm(Max) | Brass | Tin Plated |
| 3961-TGB-L | | | | Gold Plated |

Part No.:3961-T-L

| No. of Contacts | Dimensions | |
|-----------------|------------|--------|
| | A | B |
| 2 | 5.08 | 10.08 |
| 3 | 10.16 | 15.16 |
| 4 | 15.24 | 20.24 |
| 5 | 20.32 | 25.32 |
| 6 | 25.40 | 30.40 |
| 7 | 30.48 | 35.48 |
| 8 | 35.56 | 40.56 |
| 9 | 40.64 | 45.64 |
| 10 | 45.72 | 50.72 |
| 11 | 50.80 | 55.80 |
| 12 | 55.88 | 60.88 |
| 13 | 60.96 | 65.96 |
| 14 | 66.04 | 71.04 |
| 15 | 71.12 | 76.12 |
| 16 | 76.20 | 81.20 |
| 17 | 81.28 | 86.28 |
| 18 | 86.36 | 91.36 |
| 19 | 91.44 | 96.44 |
| 20 | 96.52 | 101.52 |



Part No.:5083H-XXW -L
1:With Lock
2:W/O Lock