

PIN HEADER 1.0mm

Pin Header 1.0mm 2 Row H=1.0/1.5mm SMT Type

TOPTTEK[®]

HARDWARE ELECTRONIC COMPONENTS



Specifications

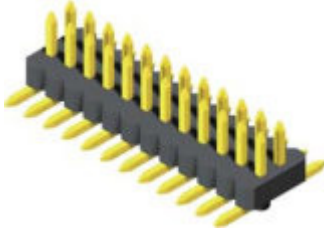
Current Rate: 1 AMP | Insulation Resistance: 1000MΩ | Max. Contact Resistance: 20mΩ |
Max. Dielectric Voltage: 500V AC for one minute | Operation Temperature: -40°C to +105°C

Material

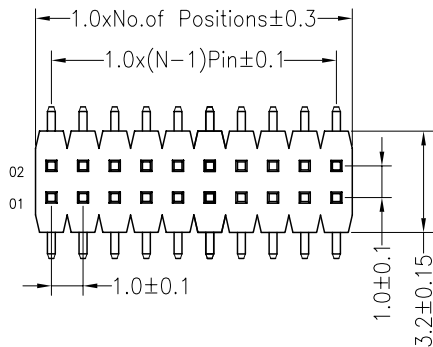
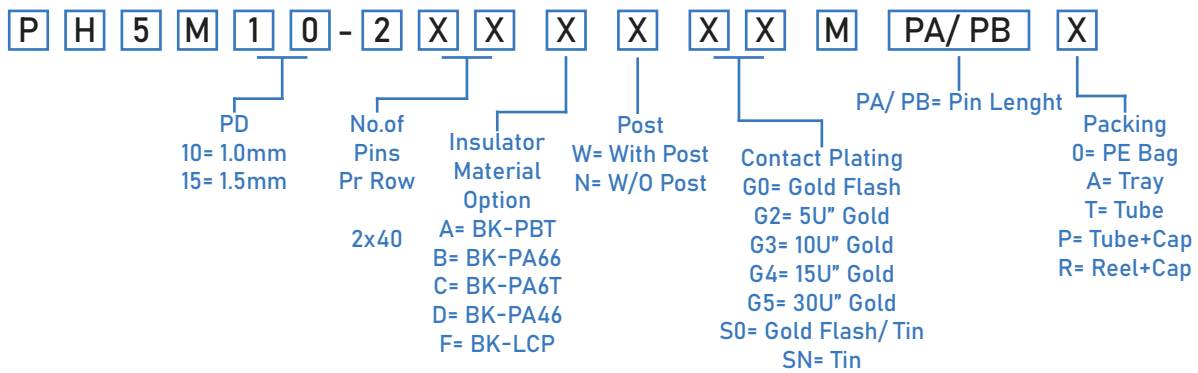
Insulator: Polyester, UL 94V-0 | Standard: Nylon 6T | Terminal: Copper Alloy | Plating: Gold Plated



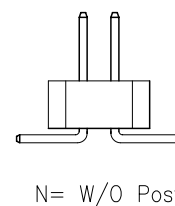
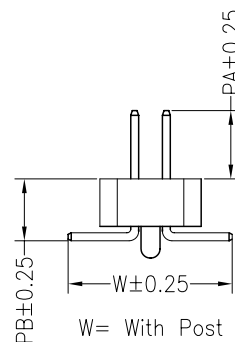
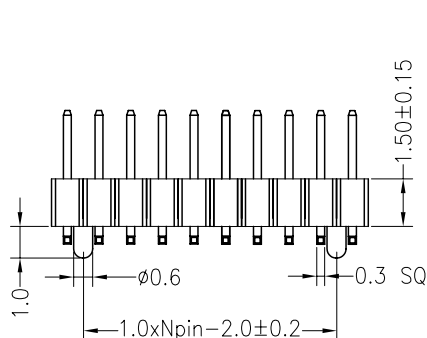
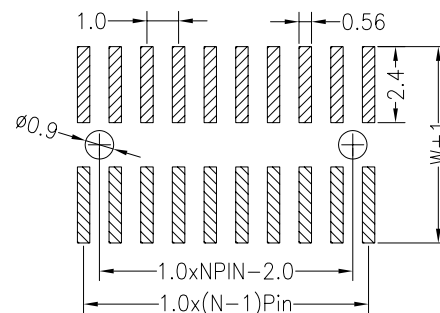
www.toptek-co.com



ORDER INFORMATION



Recommended P.C.B Layout (Top Side)
(PCB BOARD TOLERANCE ±0.05)



PD
1.00mm
1.50mm

ITEM	PA	PB
Standard	1.80	2.00
Alternate		