

MACHINE PIN HEADER

Machine Pin Header Straight Type 2.54mm

TOPTTEK[®]

HARDWARE ELECTRONIC COMPONENTS



www.toptek-co.com



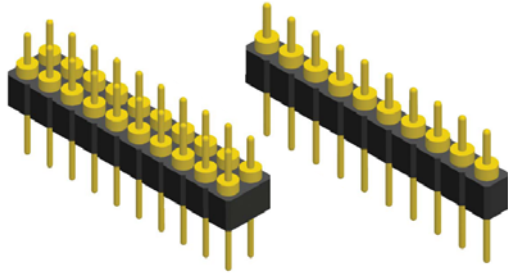
RoHS 2002/95/EC

Specifications

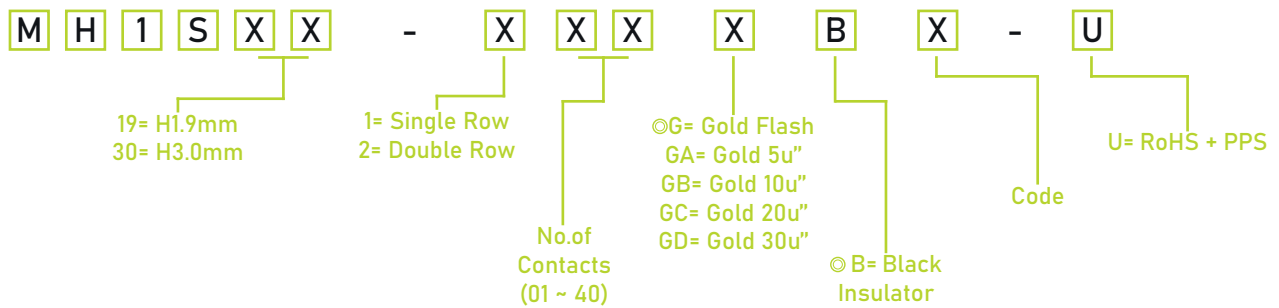
Current Rate: 3 AMP | Insulation Resistance: $\geq 1000\text{M}\Omega$ at V=100V | Contact Resistance: $\leq 4\text{m}\Omega$ /Contact | Dielectric Voltage: 1000V AC for one minute | Operation Temperature: -40°C to $+105^\circ\text{C}$

Material

Insulator: Polyester, UL 94V-0 | © Standard: PPS | Terminal: Copper Alloy | Plated: Gold Plated



ORDER INFORMATION



Code	Dim. H	Dim. A	Dim. B	Dim. C	Dim. D	Dim. L
764	1.90	1.90	2.74	0.47	0.47	7.64
851	1.90	2.16	3.18	0.49	0.49	8.51
980	3.00	3.20	3.00	0.76	0.60	9.80
1000A	3.00	3.40	3.00	0.48	0.48	10.00
1000B	3.00	4.10	2.90	0.45	0.45	10.00
1120	3.00	3.20	3.00	0.76	0.60	11.20

