

D SUB CONNECTORS

Stamped Pin IC Socket 2.54mm



Specifications

Current Rate: 3 AMP | Insulation Resistance: 1000MΩ Min. | Contact Resistance: 20mΩ Max. | Dielectric Voltage: 500V AC for one minute | Operation Temperature: -55°C to +105°C

Material

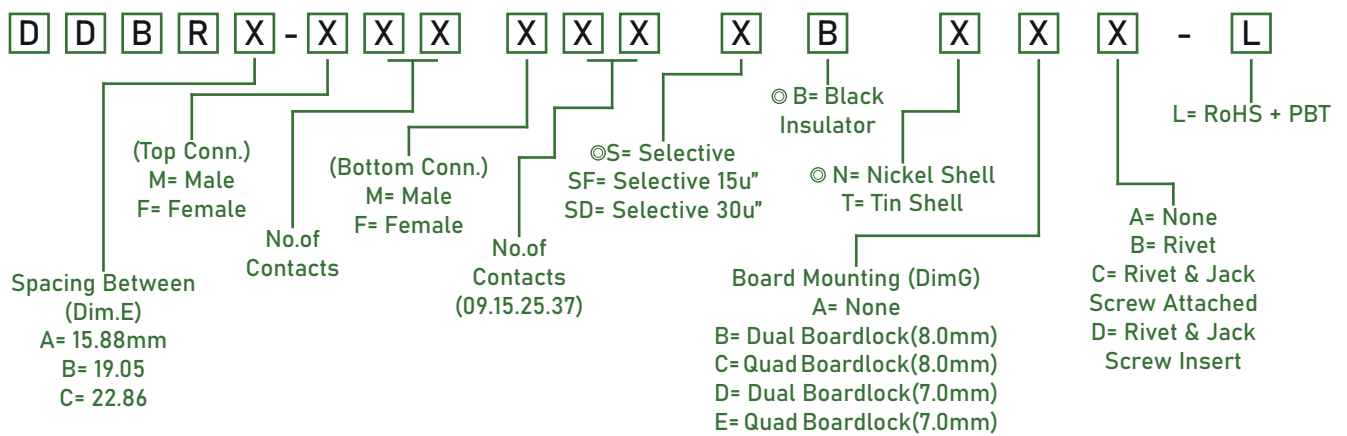
Contacts: Copper Alloy | Insulator: PBT UL 94V-0 Rated

TOPTTEK[®]
HARDWARE ELECTRONIC COMPONENTS

www.toptek-co.com



ORDER INFORMATION



No. of Contacts	Dim. A	Dim. B	Dim. C	Dim. E	Dim. F	Dim. G
9	16.33	24.99	30.81	15.88	28.40	7.00
15	24.66	33.32	39.14	19.05	31.60	8.00
25	38.38	47.04	53.04	22.86	35.40	
37	54.84	63.54	69.32			

