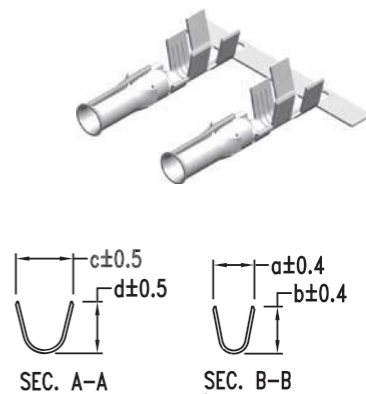
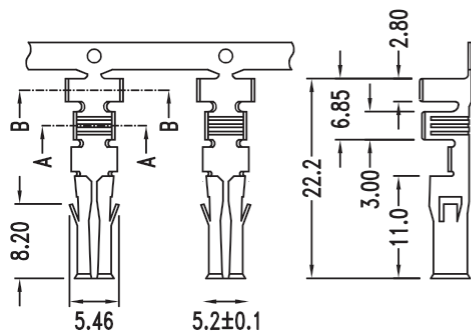


8.38mm Female & Male Terminal / Female & Male Housing

Specifications

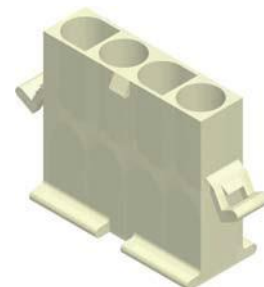
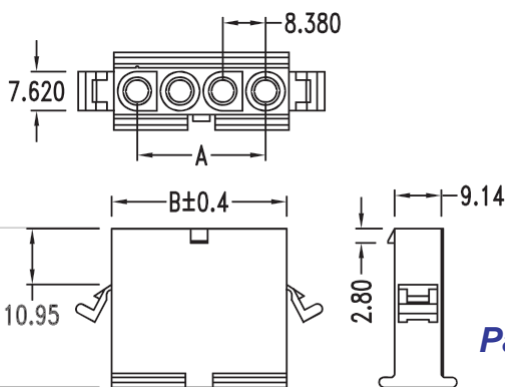
Current Rating: 20A AC,DC
Voltage Rating: 600V AC,DC
Temperature Range: -40°C to +105°C
Contact Resistance: 10mΩ Max
Withstanding Voltage: 1500V AC/minute
Material: Nylon 66, UL94V-2



Part No.	Wire Range	InsulaØon O.D.	Material	Finish	Dim. A	Dim. B	Dim. C	Dim. D
8380-FT-A-L	#16-#18	3.05mm	Brass	Tin Plated	2.80	3.30	4.90	5.00
8380-FT-B-L	#16-#18	4.57mm			2.80	3.30	6.50	5.70
8380-FT-C-L	#10-#14	4.57mm			5.40	5.20	6.50	5.70

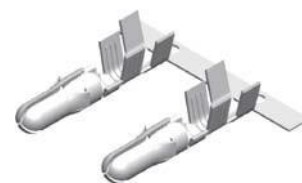
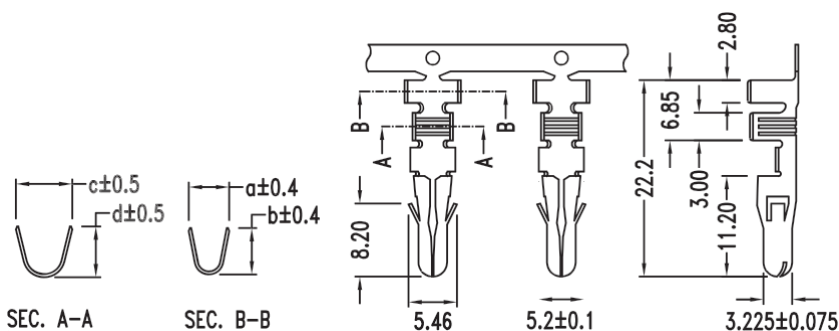
Part No.:8380-FT-L

No. of Contacts	Dimensions		
	A	B	C
1	- - -	9.14	13.23
2	8.38	17.52	21.61
3	16.76	25.90	29.99
4	25.14	34.28	38.37



Part No.:8380H-F1XXW-L

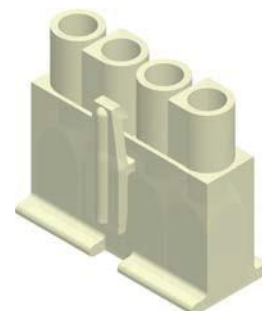
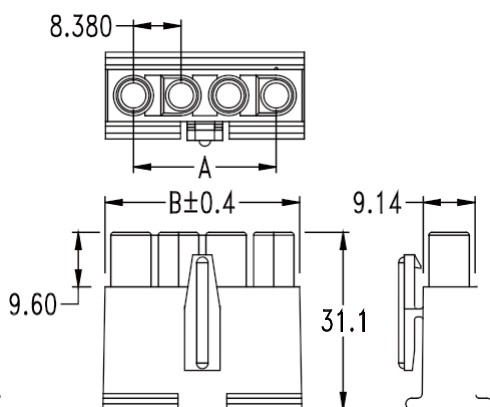
1: With Ear
2: W/O Ear



Part No.	Wire Range	InsulaØon O.D.	Material	Finish	Dim. A	Dim. B	Dim. C	Dim. D
8380-MT-A-L	#16-#18	3.05mm	Brass	Tin Plated	2.80	3.30	4.90	5.00
8380-MT-B-L	#16-#18	4.57mm			2.80	3.30	6.50	5.70
8380-MT-C-L	#10-#14	4.57mm			5.40	5.20	6.50	5.70

Part No.:8380-MT-L

No. of Contacts	Dimensions		
	A	B	C
1	- - -	9.14	13.23
2	8.38	17.52	21.61
3	16.76	25.90	29.99
4	25.14	34.28	38.37



Recommended panel hole cutout

Part No.:8380H-M1XXW-L