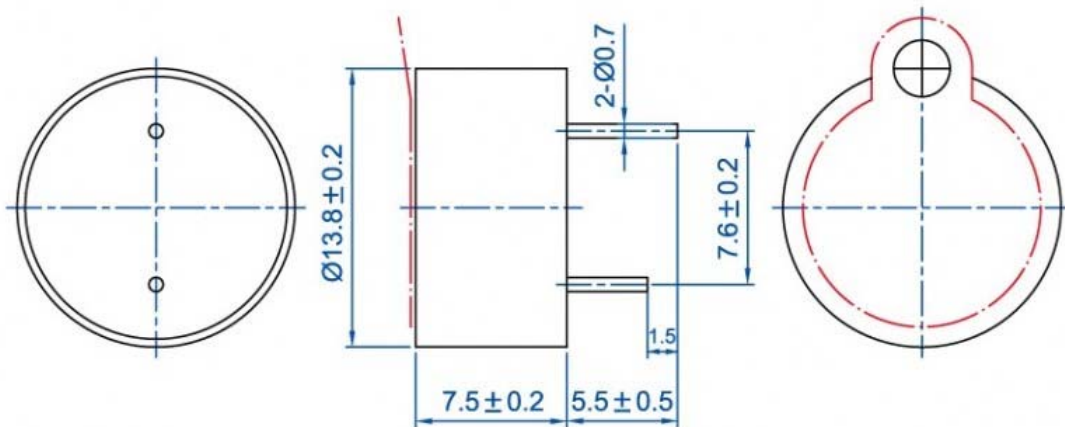


MODEL NO.:B1475
 Dimensions(mm):13.8x7.5
 Operating Voltage(VDC): 3~16
 Resonant Freq.(Hz):4000
 SPL(dB):85min at 10cm
 Tone: continuous



Model	Model	B1475B-TO-12-4.0-7.6-R
2	Rated Voltage (VDC)	12
3	Operating Voltage (VDC)	3~16
4	*Rated Current (mA)	≤12

5	Reverse Current(mA)	≤100
6	*Sound Output at 10 cm (dB)	≥85
7	*Resonant Frequency (Hz)	4000±500
8	Operating Temperature (°C)	-20~+70
9	Storage Temperature (°C)	-30~+80
10	Weight (g)	0.8
11	RoHS	Yes
12	Housing Material	PPO
