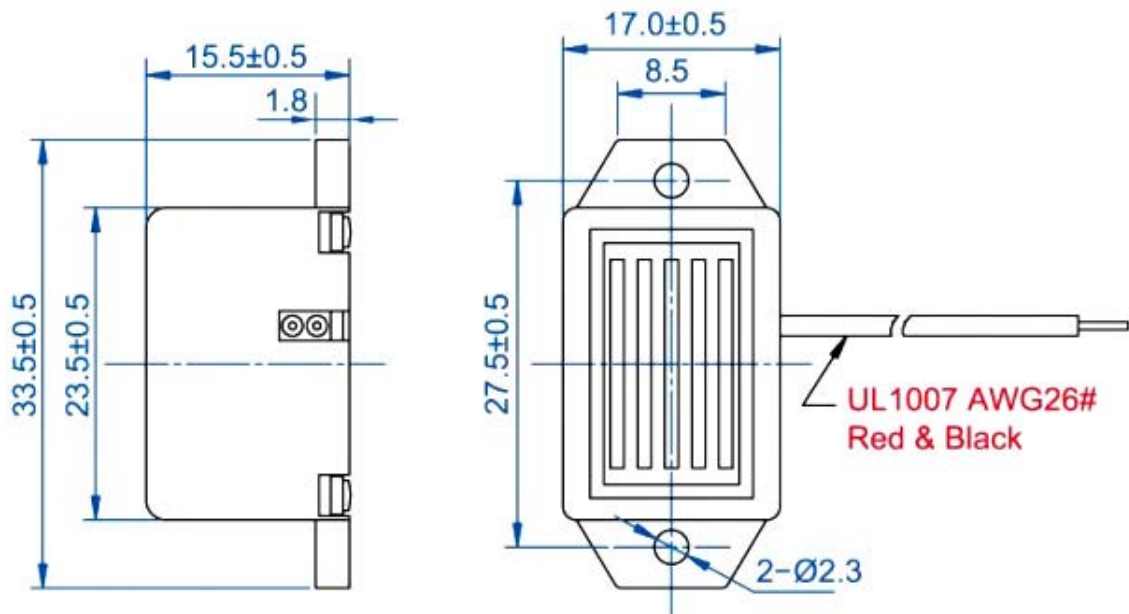
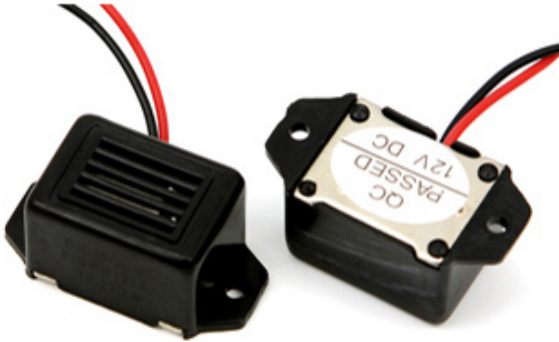


B2316W

MODEL NO.:B2316W
Dimensions(mm):23.5x17.0x15.5
Operating Voltage(VDC): 3~7
Resonant Freq.(Hz):400
SPL(dB):80min at 20cm



1	Model	B2316W1005-06
2	Rated Voltage (VDC)	6
3	Operating Voltage (VDC)	3~7
4	Resonant Frequency (Hz)	400 ± 100
5	*Rated Current (mA)	≤ 30
6	*Sound Output at 20cm (dB)	≥ 80
7	Operating Temperature (°C)	-20~+60
8	Storage Temperature (°C)	-30~+70
9	Weight (g)	8.4
10	Housing Material	ABS