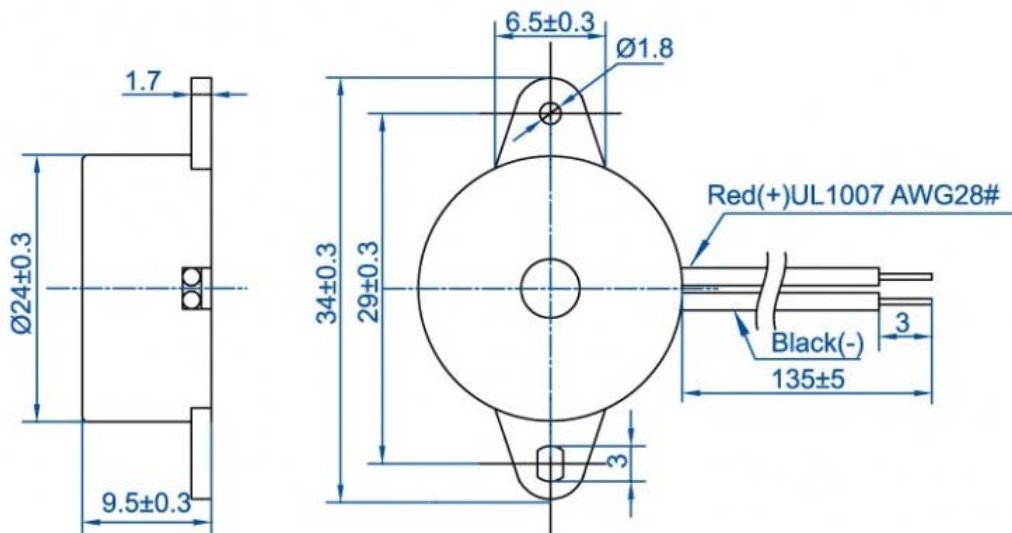


MODEL NO.:B2395W
 Dimensions(mm):24x9.5
 Operating Voltage(VDC): 3~20
 Resonant Freq.(Hz):3400
 SPL(dB):90min at 10cm
 Tone: continuous



Model NO.	Model NO.	B2395W1303-TA-12-3.4-R
2	Rated Voltage (VDC)	12
3	Operating Voltage (VDC)	3~20
4	*Rated Current (mA)	≤15

5	*Sound Output at 10 cm (dB)	≥90
6	*Resonant Frequency (Hz)	3400±500
7	Lead Wire	UL1007AWG28
8	Operating Temperature (°C)	-20~+65
9	Storage Temperature (°C)	-30~+75
10	Weight (g)	4
11	Housing Material	ABS
12	RoHS	Yes
