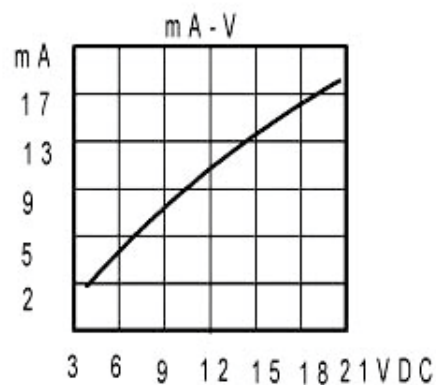
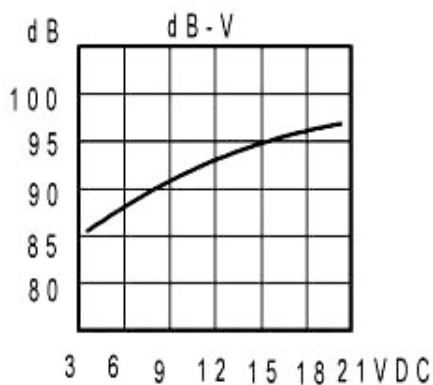
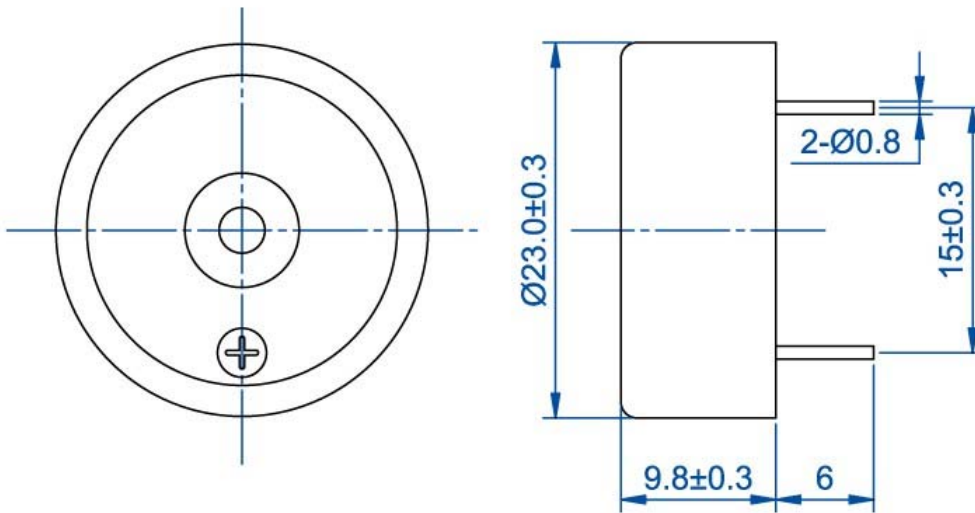


MODEL NO.:B2398  
 Dimensions(mm):23x9.8  
 Operating Voltage(VDC): 3~20  
 Resonant Freq.(Hz):3500  
 SPL(dB):90min at 10cm  
 Tone: continuous



Model No.	Model No.	B2398-TB-12-3.5-15.0-R
2	Rated Voltage (VDC)	12
3	Operating Voltage (VDC)	3~20
4	*Resonant Frequency (Hz)	3500±500
5	*Sound Output at 10cm (dB)	≥90
6	*Current Consumption (mA)	≤12
7	Operating Temperature (°C)	-20~+70
8	Storage Temperature (°C)	-30~+70
9	Weight (g)	4
10	RoHS	Yes
11	Housing Material:	PBT