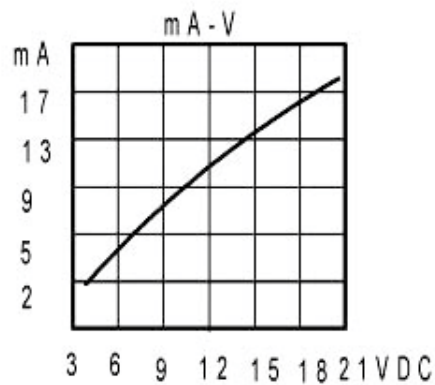
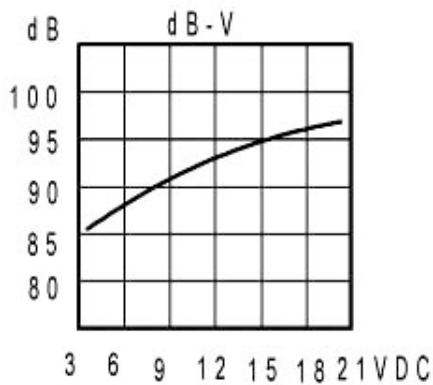
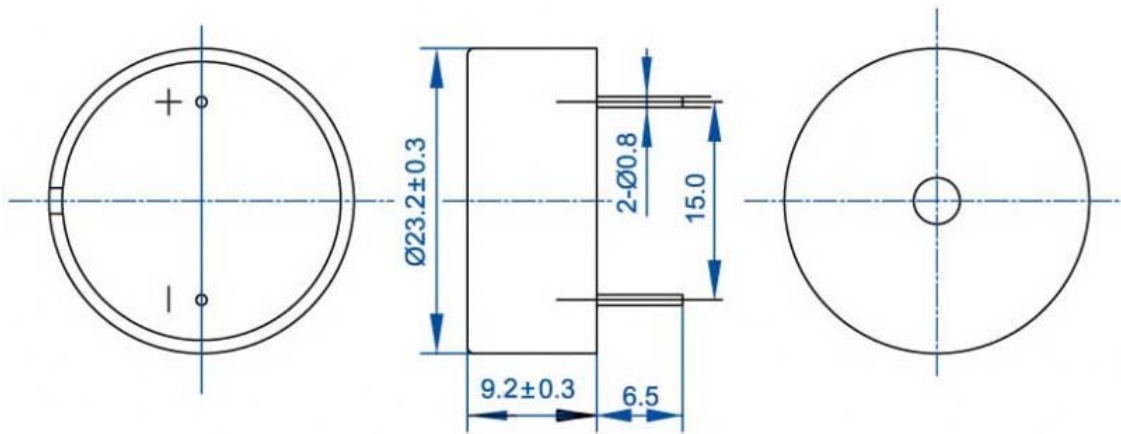


MODEL NO.:B2410-1  
 Dimensions(mm):24x10  
 Operating Voltage(VDC): 3~24  
 Resonant Freq.(Hz):3500  
 SPL(dB):90min at 10cm  
 Tone: continuous



---

Model	Model	B2410-1-TB-12-3.5-15.0-R
2	RatedVoltage(VDC)	12
3	OperatingVoltage(VDC)	3~24
4	*RatedCurrent(mA)	≤15
5	*SoundOutputat10cm(dB)	≥90
6	*ResonantFrequency(KHz)	3.5±0.5
7	OperatingTemperature(°C)	-20~+70
8	StorageTemperature(°C)	-30~+80
9	Weight(g)	2.8
10	RoHS	Yes

---