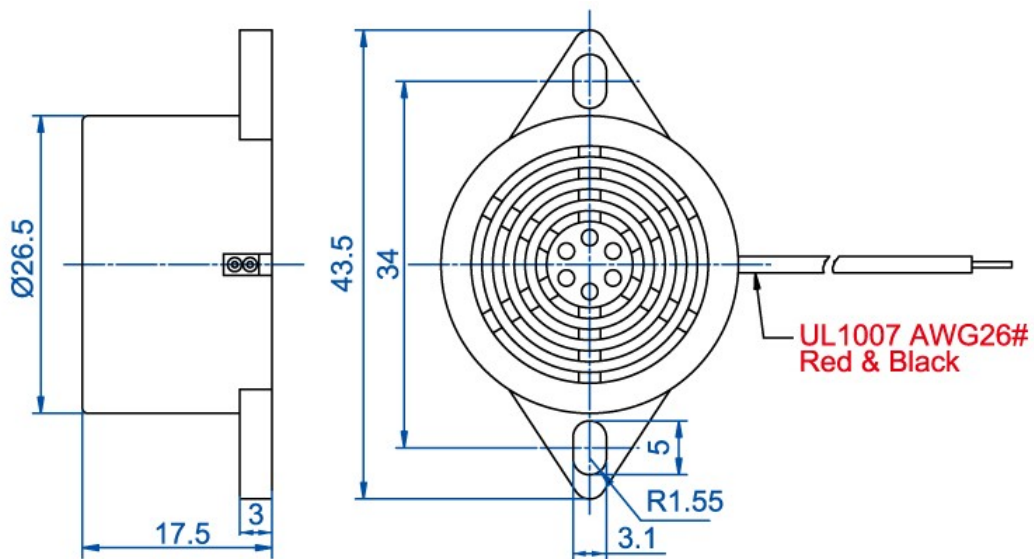


B2617



MODEL NO.:B2617
Dimensions(mm):26.5x17.5
Operating Voltage(VDC):9~15
Resonant Freq.(Hz):400
SPL(dB):85min at 10cm



1	Model	B2617W1107-12
2	Rated Voltage (VDC)	12
3	Operating Voltage (VDC)	9~15
4	Resonant Frequency (Hz)	400 ± 100
5	*Rated Current (mA)	≤ 35
7	*Sound Output at 20cm (dB)	≥ 85
8	Operating Temperature (°C)	-20~+60
9	Storage Temperature (°C)	-30~+70
10	Weight (g)	10.5