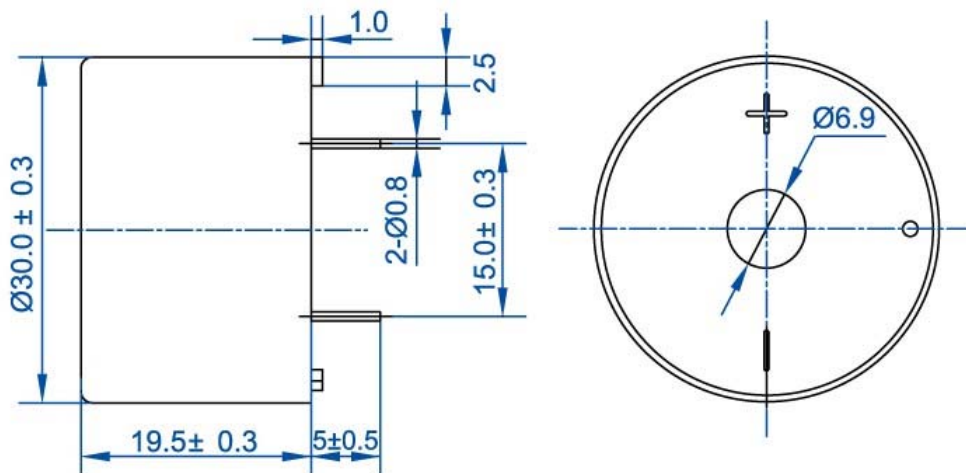
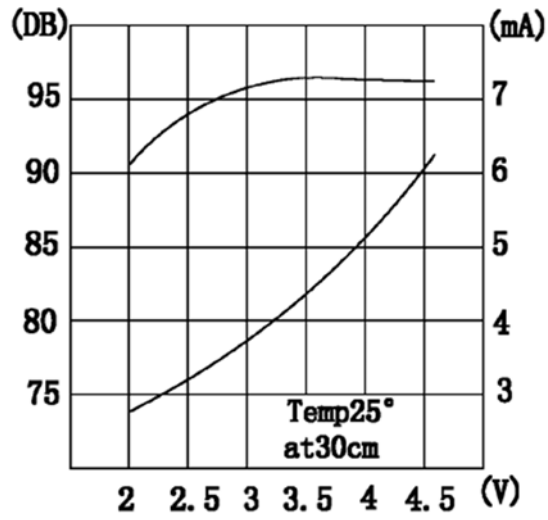


MODEL NO.:B3020B
Dimensions(mm):30x19.5
Operating Voltage(VDC): 3~20
Resonant Freq.(Hz):3500
SPL(dB):100min at 30cm
Tone: continuous





Model No.	Model No.	B3020B-TB-12-3.5-15.0-R
2	Rated Voltage (VDC)	12
3	Operating Voltage (VDC)	3~20
4	*Rated Current (mA)	≤12
5	*Sound Output at 30cm (dB)	≥100
6	*Resonant Frequency (Hz)	3500±500
7	Operating Temperature (°C)	-20~+80
8	Storage Temperature (°C)	-30~+100
9	Weight (g)	9.5
10	Housing Material	PBT
11	RoHS	Yes