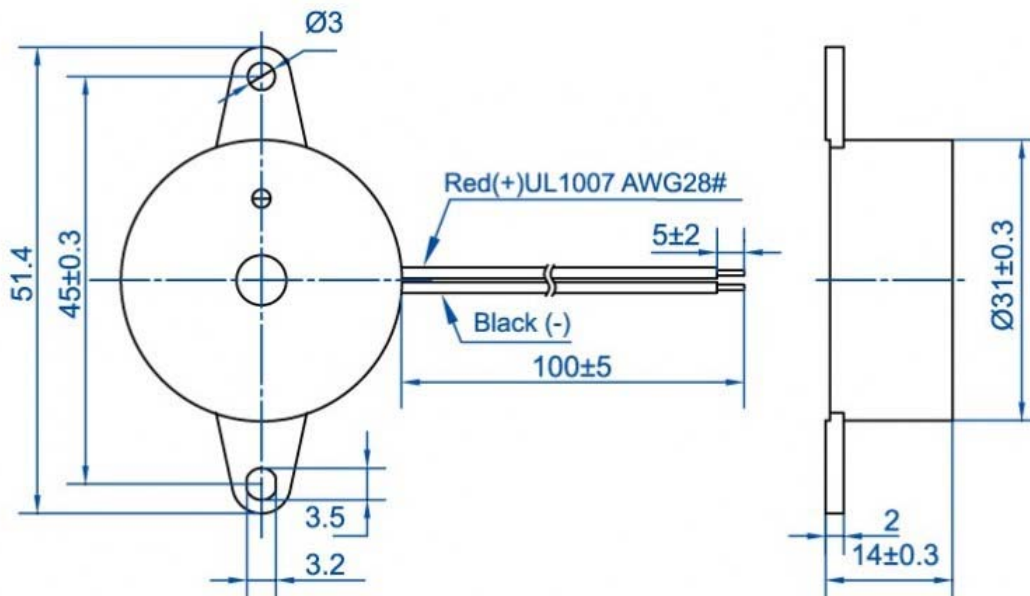


MODEL NO.:B3114W
Dimensions(mm):31x14
Operating Voltage(VDC) 5~30
Resonant Freq.(Hz):3500
SPL(dB):90min at 10cm
Tone: continuous



Model	Model	B3114W1005-TA-09-3.5-R
2	Rated Voltage (VDC)	9
3	Operating Voltage (VDC)	5~30

4	*Rated Current (mA)	≤12
5	*Sound Output at 10 cm (dB)	≥90
6	*Resonant Frequency (Hz)	3500±500
7	Tone	Continuous
8	Operating Temperature (°C)	-20~+60
9	Storage Temperature (°C)	-30~+70
10	Weight (g)	6.8
11	Housing Material	ABS
12	RoHS	Yes
