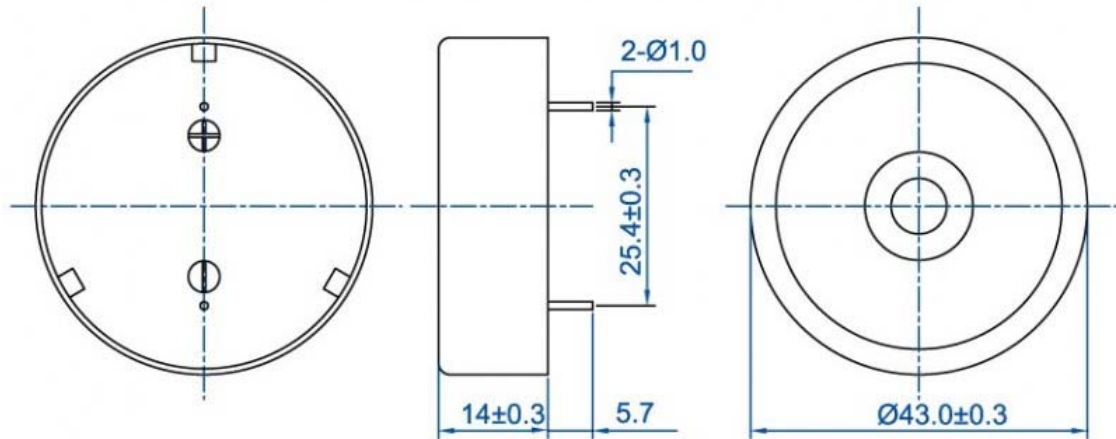
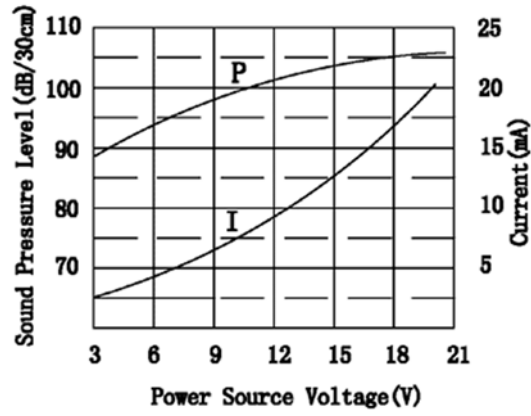


MODEL NO.:B4314
Dimensions(mm):43x14
Operating Voltage(VDC): 3~20
Resonant Freq.(Hz):2800
SPL(dB):100min at 30cm
Tone: continuous





Model	Model	B4314-TB-12-2.8-25.4-R
2	Rated Voltage (VDC)	12
3	Operating Voltage (VDC)	3~20
4	*Rated Current (mA)	≤15
5	*Sound Output at 30 cm (dB)	≥100
6	*Resonant Frequency (Hz)	2800±500
7	Tone	Continuous
8	Operating Temperature (°C)	-20~+60
9	Storage Temperature (°C)	-30~+70
10	Weight (g)	11.5
11	RoHS	Yes