

Battery Holder Conn. Coin Type

Material

Insulator Material:PBT,UL 94V-0

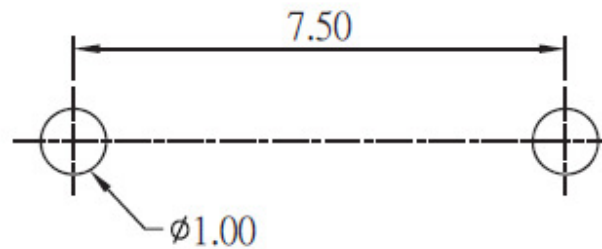
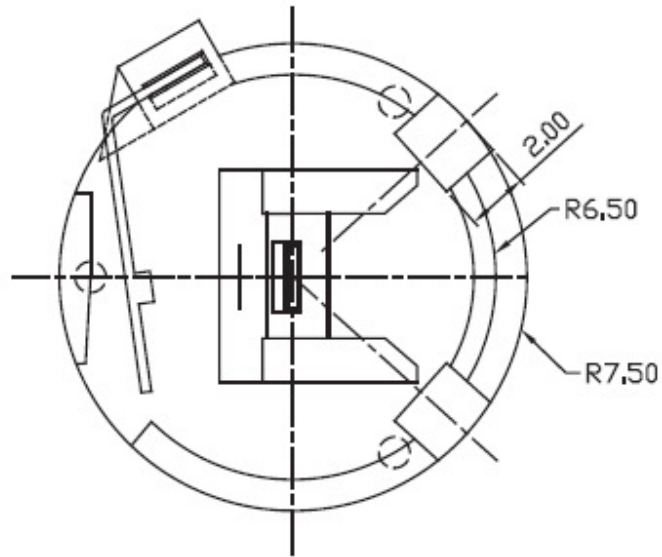
Terminal:Copper Alloy

Plated: Tin Plated

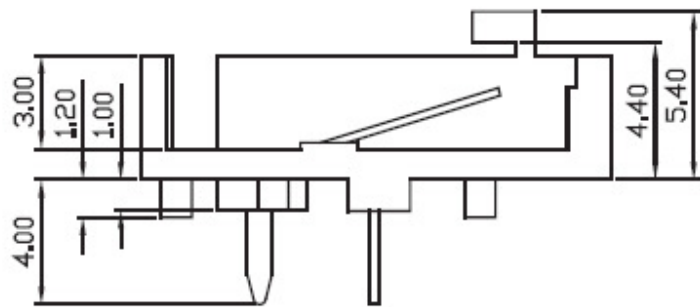
For CR1225



BTD-1225TB-L



Recommended PCB Layout
(PCB TOLERANCE ± 0.05)



TOPTEK
HARDWARE ELECTRONIC COMPONENTS



www.toptek-co.com