

Battery Holder Conn. Coin Type

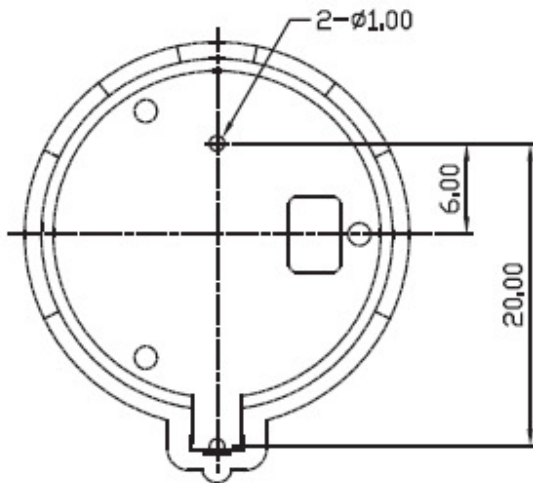
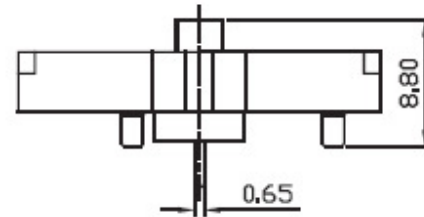
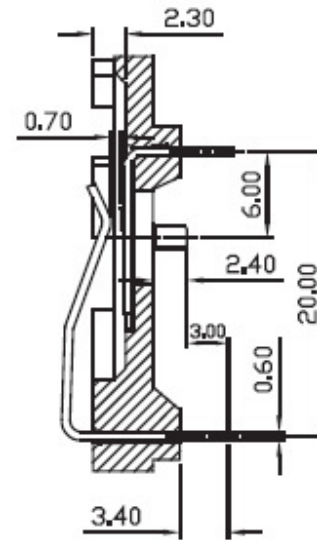
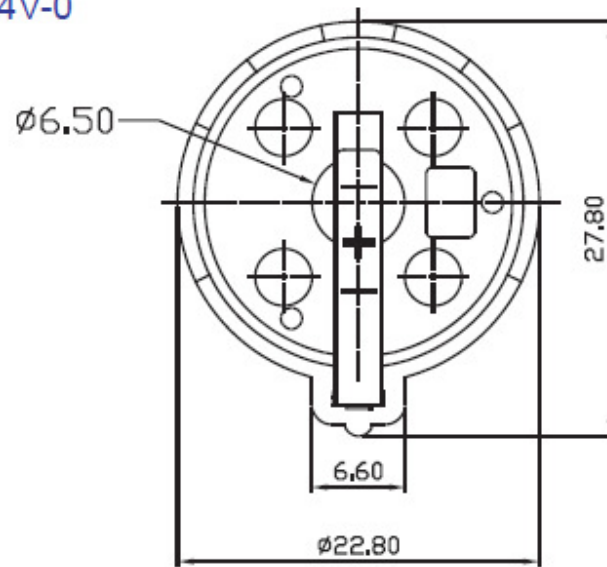
Material

Insulator Material: PBT, UL 94V-0

Terminal: Copper Alloy

Plated: Tin Plated

For CR2032



Recommended PCB Layout
(PCB TOLERANCE ±0.05)



BTDB-2032TB-L

TOPTEK
HARDWARE ELECTRONIC COMPONENTS



www.toptek-co.com