

Battery Holder Conn. Coin Type

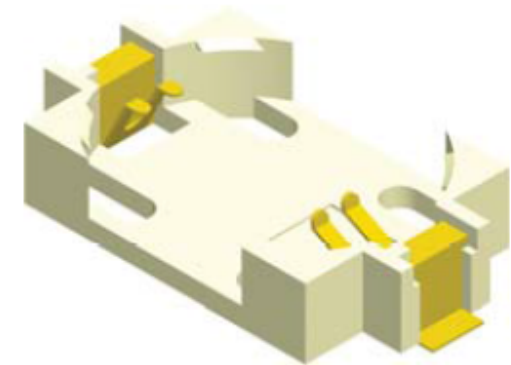
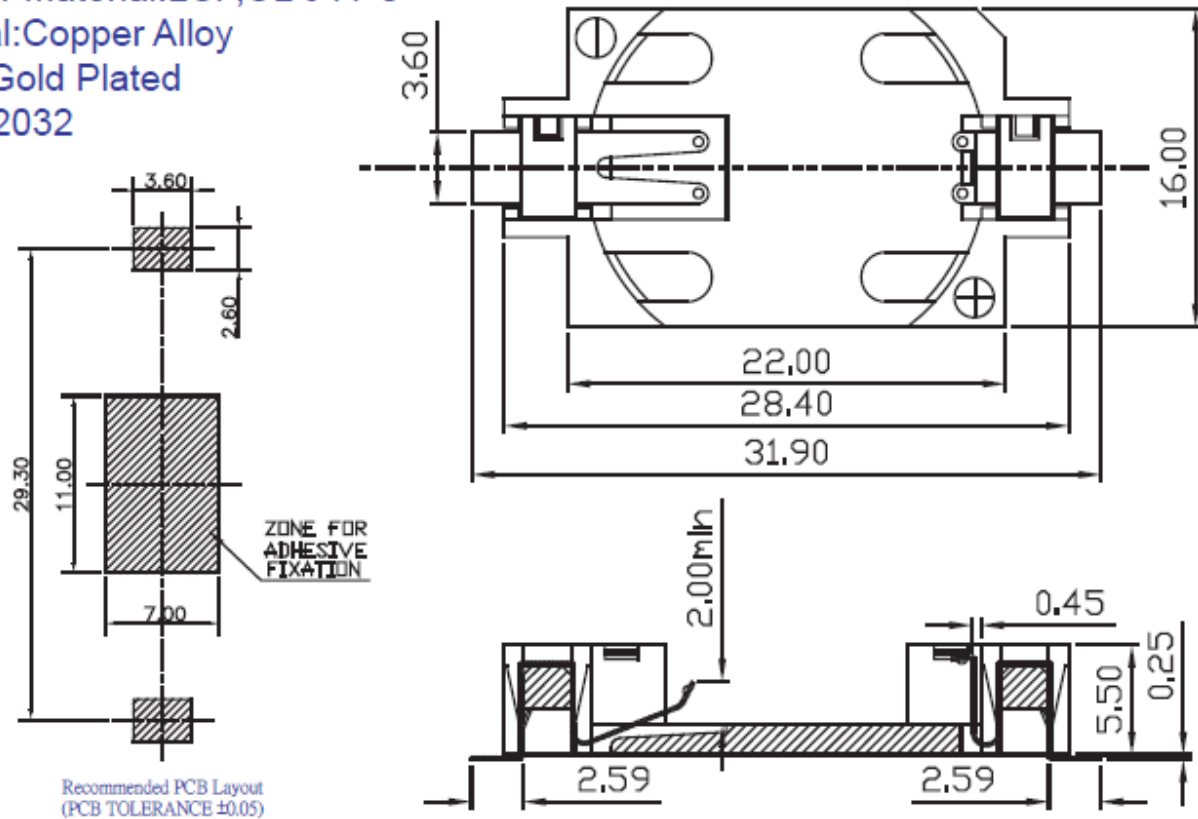
Material

Insulator Material: LCP, UL 94V-0

Terminal: Copper Alloy

Plated: Gold Plated

For CR2032



BTM-2032GW-U

TOPTEK
HARDWARE ELECTRONIC COMPONENTS



www.toptek-co.com