

CONNECTORS MANUFACTURER

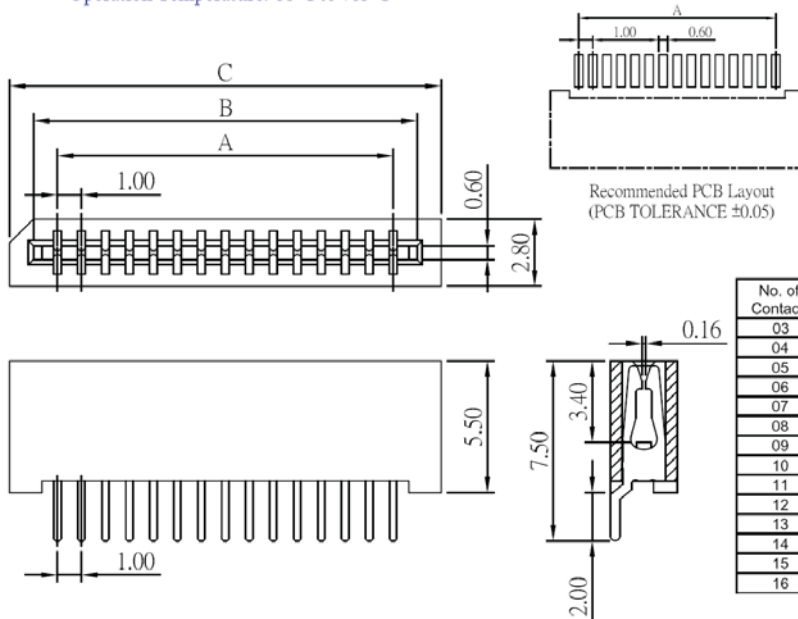
FPC/FFC 1.0mm Non ZIF SMT Type Side Entry

SPECIFICATION

Current Rate:0.5 AMP
 Insulation Resistance:1000MΩ Min.
 Contact Resistance:30mΩ Max.
 Dielectric Voltage:500V AC for one minute
 Operation Temperature:-55°C to +85°C

MATERIAL

Insulator:Polyester,UL 94V-0
 ©Standard:Nylon 6T
 Contact Pin:Copper Alloy
 Contact Plating:Tin Plated



No. of Contacts	Dimensions			No. of Contacts	Dimensions		
	A	B	C		A	B	C
03	2.00	4.10	6.00	17	16.00	18.10	20.00
04	3.00	5.10	7.00	18	17.00	19.10	21.00
05	4.00	6.10	8.00	19	18.00	20.10	22.00
06	5.00	7.10	9.00	20	19.00	21.10	23.00
07	6.00	8.10	10.00	21	20.00	22.10	24.00
08	7.00	9.10	11.00	22	21.00	23.10	25.00
09	8.00	10.10	12.00	23	22.00	24.10	26.00
10	9.00	11.10	13.00	24	23.00	25.10	27.00
11	10.00	12.10	14.00	25	24.00	26.10	28.00
12	11.00	13.10	15.00	26	25.00	27.10	29.00
13	12.00	14.10	16.00	27	26.00	28.10	30.00
14	13.00	15.10	17.00	28	27.00	29.10	31.00
15	14.00	16.10	18.00	29	28.00	30.10	32.00
16	15.00	17.10	19.00	30	29.00	31.10	33.00

Part No.:FPC3BMR6-XX-U

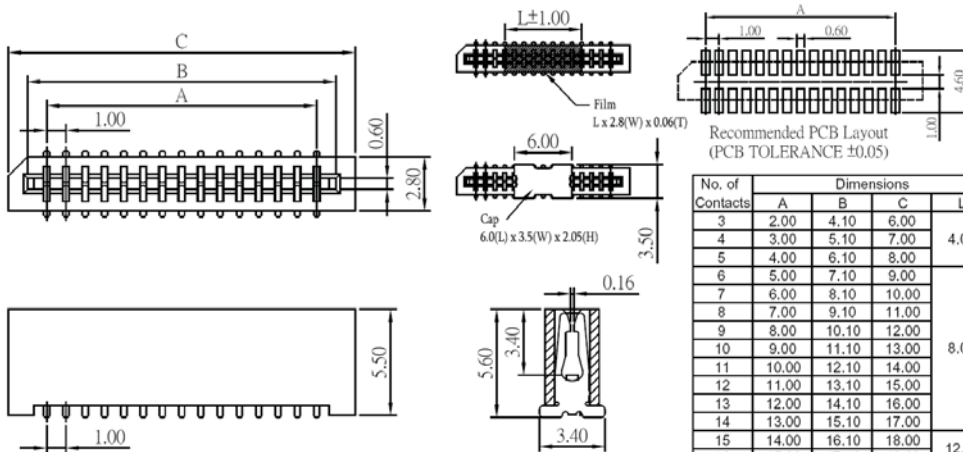
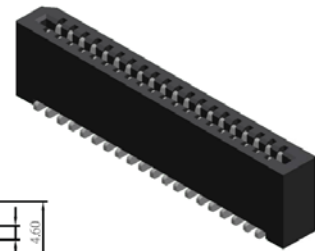
FPC/FFC 1.0mm Non ZIF SMT Type Top Entry

SPECIFICATION

Current Rate:0.5 AMP
 Insulation Resistance:1000MΩ Min.
 Contact Resistance:30mΩ Max.
 Dielectric Voltage:500V AC for one minute
 Operation Temperature:-55°C to +85°C

MATERIAL

Insulator:Polyester,UL 94V-0
 ©Standard:Nylon 6T
 Contact Pin:Copper Alloy
 Contact Plating:Tin Plated



No. of Contacts	Dimensions				No. of Contacts	Dimensions			
	A	B	C	L		A	B	C	L
3	2.00	4.10	6.00	4.00	17	16.00	18.10	20.00	12
4	3.00	5.10	7.00		18	17.00	19.10	21.00	
5	4.00	6.10	8.00		19	18.00	20.10	22.00	
6	5.00	7.10	9.00	8.00	20	19.00	21.10	23.00	
7	6.00	8.10	10.00		21	20.00	22.10	24.00	
8	7.00	9.10	11.00		22	21.00	23.10	25.00	
9	8.00	10.10	12.00	12.00	23	22.00	24.10	26.00	
10	9.00	11.10	13.00		24	23.00	25.10	27.00	
11	10.00	12.10	14.00		25	24.00	26.10	28.00	
12	11.00	13.10	15.00	30	26	25.00	27.10	29.00	
13	12.00	14.10	16.00		27	26.00	28.10	30.00	
14	13.00	15.10	17.00		28	27.00	29.10	31.00	
15	14.00	16.10	18.00	30	29	28.00	30.10	32.00	
16	15.00	17.10	19.00		30	29.00	31.10	33.00	

Part No.:FPC3BMS6-XX-U

ORDER INFORMATION

