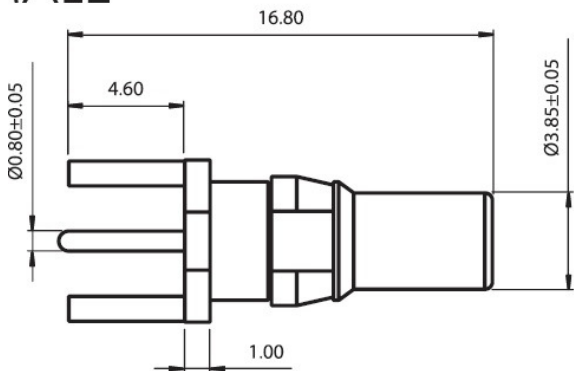
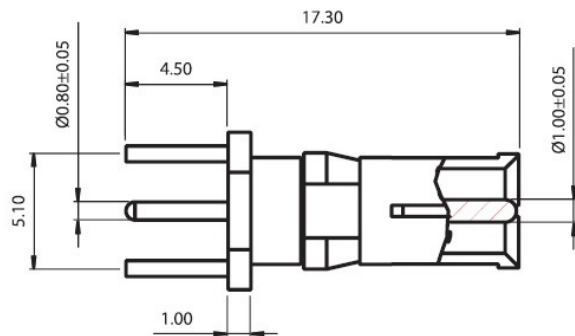


PCB LAYOUT

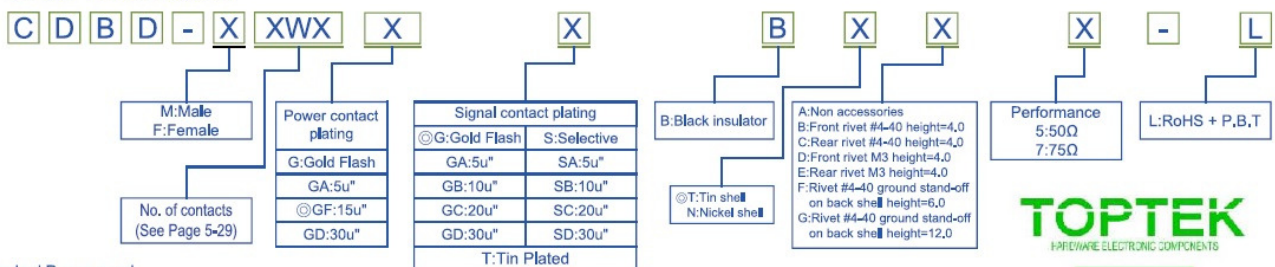
MALE



FEMALE



Order Information



©: Standard Recommend

TOPTEK
HARDWARE ELECTRONIC COMPONENTS



www.toptek-cc.com