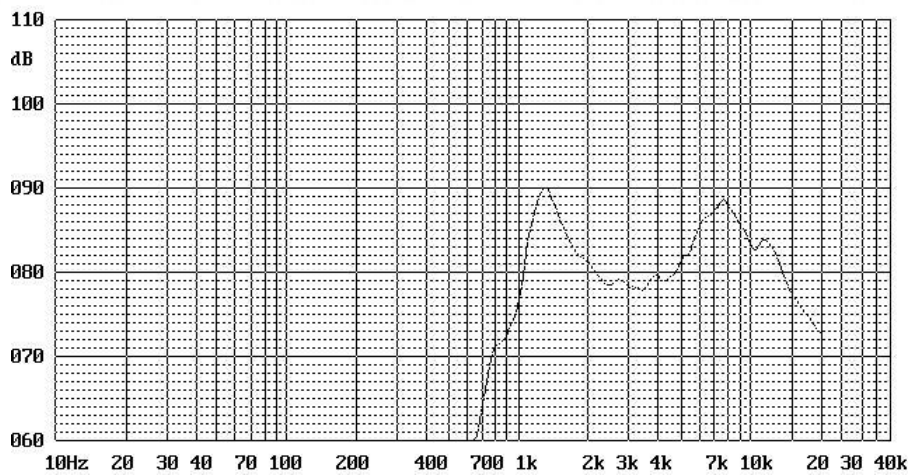
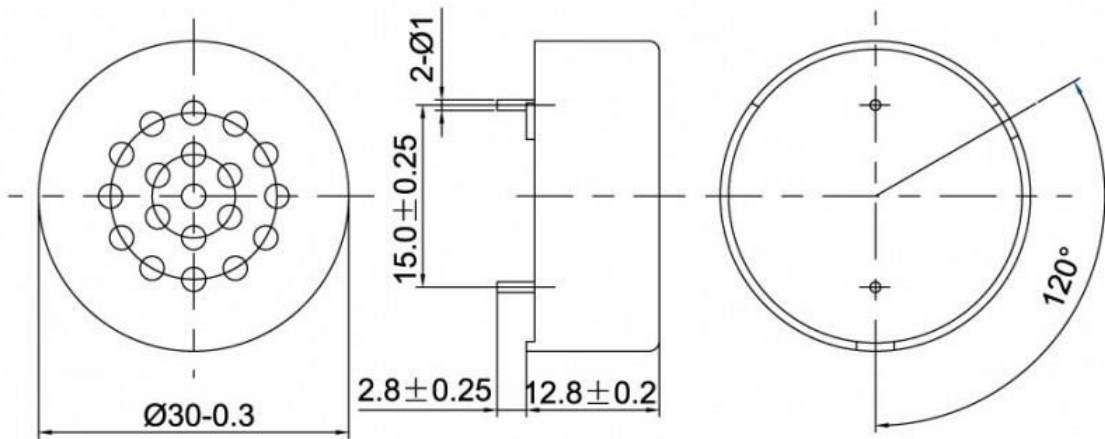


DC3013-R

Model No.:DC3013-R
 Size:30*12.8mm
 Rated Power(W):1.3
 Max Power(W):1.5
 SPL(db):105±3dB



1	Model No.	DC3013-R
2	Rated Impedance (ohm)	OHM±20%
3	Rated (Max.) Power (W)	1.3(1.5)
4	Resonant Frequency (Hz)	1200±20%
5	Frequency Range (Hz)	fo~6000
6	SPL (dB)	105±3 at 1k,1.6k,2k,3.2kHz, 0.1m0.5W
7	Buzzer &Rattles	Must be normal at sine wave 2Vrms
8	Frame Material	LCP
9	Operating Temperature (°C)	-20~+60
10	Storage Temperature (°C)	-30~+70
11	Weight (g)	
12	RoHS	Yes