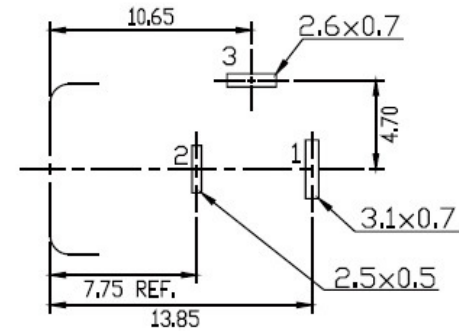
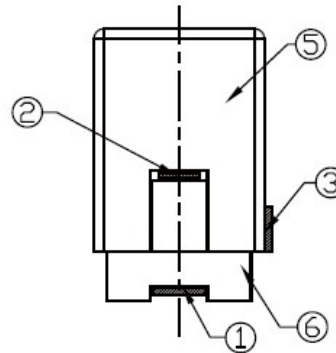
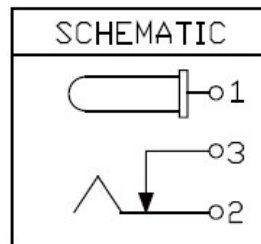
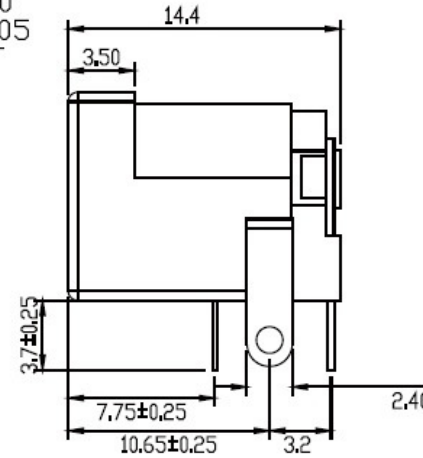
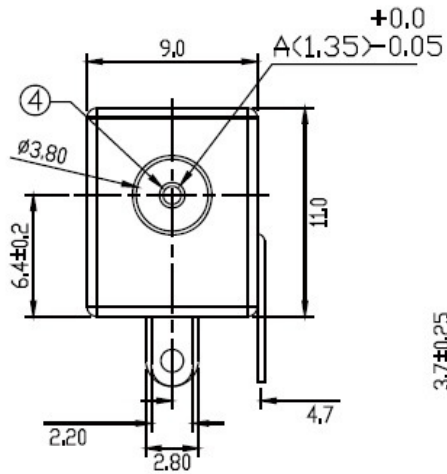


# DC Jack Conn.



Part No.: **DCJ135-0023TB-L**  
 135:  $\phi 1.35$



Recommended PCB Layout  
 (PCB TOLERANCE  $\pm 0.05$ )

NO.	NAME	MATERIAL	FINISH	Q'TY
1	PIN TERM.	BRASS 0.40	TIN PLATED	1
2	SLEEVE TERM.	PHOS. BRONZE 0.25	TIN PALTED	1
3	BREAK TERM.	BRASS 0.40	TIN PLATED	1
4	CENTER PIN	BRASS $\phi 1.35$	NICKEL PLATED	1
5	HOUSING	P.B.T G.F	BLACK	1
6	COVER	P.B.T G.F	BLACK	1

**TOPTEK**  
 HARDWARE ELECTRONIC COMPONENTS



www.toptek-co.com