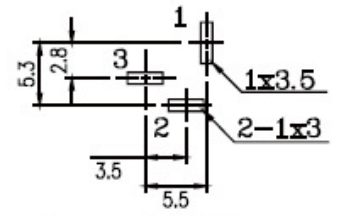
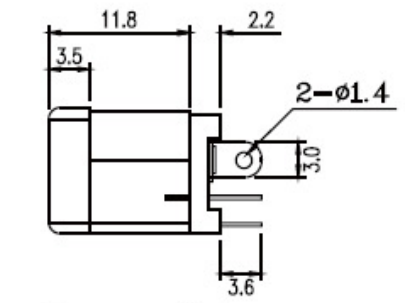
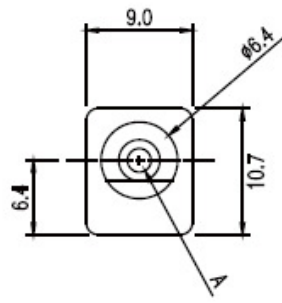


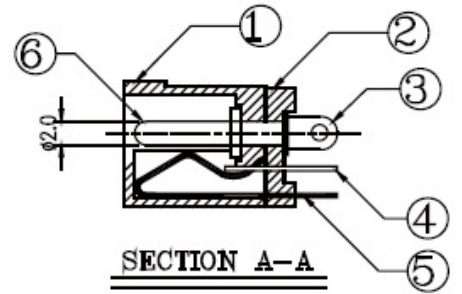
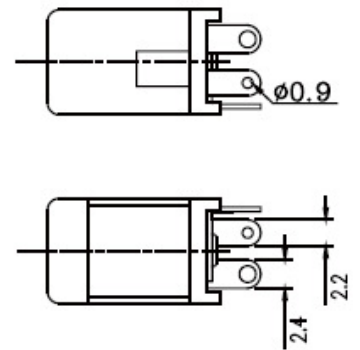
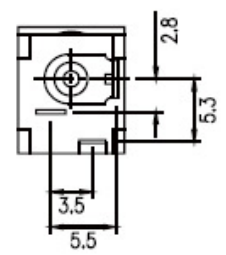
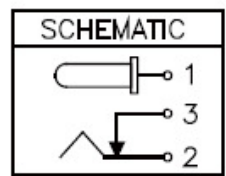
# DC Jack Conn.



Part No.: DCJ       D-0013TB-L  
 20:  $\phi 2.0$   
 25:  $\phi 2.5$



Recommended PCB Layout  
 (PCB TOLERANCE  $\pm 0.05$ )



NO.	NAME	MATERIAL	FINISH	Q'TY
1	HOUSING	P.B.T	BLACK	1
2	COVER	BAKELITE	BLACK	1
3	PIN TERM.	BRASS 0.4THK	TIN PLATED	1
4	BREAK TERM.	BRASS 0.3THK	TIN PLATED	1
5	BREAK TERM.	PHOS. BORNZE T:0.25	TIN PLATED	1
6	CENTER PIN	COPPER ALLOY	TIN PLATED	1

