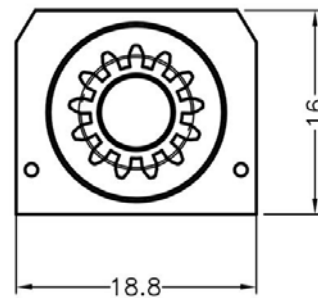
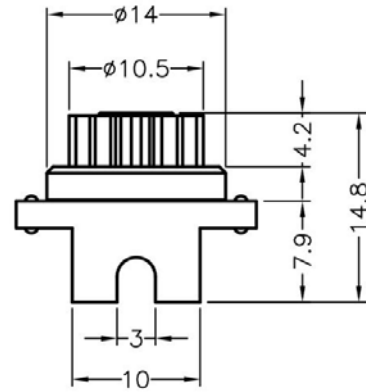


DAMPER GEAR
 DP002A



NOTE: MODULE: 0.7
 PITCH CIRCLE DIAMETER: $\phi 9.1$
 TOOTH NUMBER: 13
 PRESSURE ANGLE: 20°

PART NO	PACKAGE
DP002A	500

MATERIAL 1 : ABS(UL)
 FLAME CLASS 1 : 94HB
 COLOR 1 : BLACK
 MATERIAL 2 : POM(UL)
 UNIT : mm