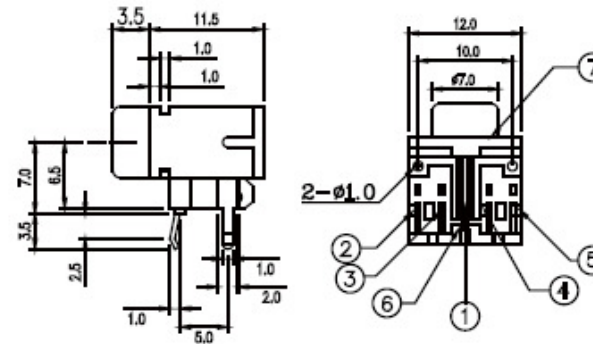
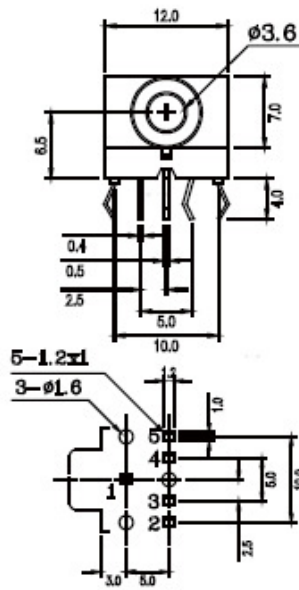


Ø3.5 Earphone Jack Conn.

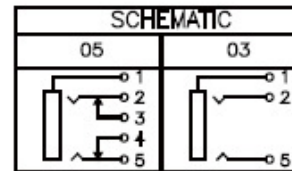


Part No.: EPJ35-0008P-- T -L
 No. of Contacts (03,05)
 See Table



NO.	NAME	MATERIAL	FINISH
1	GROUND TERM	PHOS. BRONZE t:0.6	TIN PLATED
2	RING SPRING	PBS t:0.3	TIN PLATED
3	BREAK TERM	BRA t:0.4	TIN PLATED
4	BREAK TERM	BRA t:0.4	TIN PLATED
5	TIP SPRING	PB t:0.3	TIN PLATED
6	BACK COVER	P.B.T.	
7	HOUSING	P.B.T.	

Recommended PCB Layout
 (PCB TOLERANCE ±0.05)



Table

NO.	HOUSING & COVER COLOR	PANTONE
PK	PINK	701C
W	WHITE	577C
Y	YELLOW	123C
OR	ORANGE	157C
LU	LIGHT BLUE	284C

TOPTEK
 HARDWARE ELECTRONIC COMPONENTS



www.toptek-co.com