

# Ø3.5 Earphone Jack Conn.

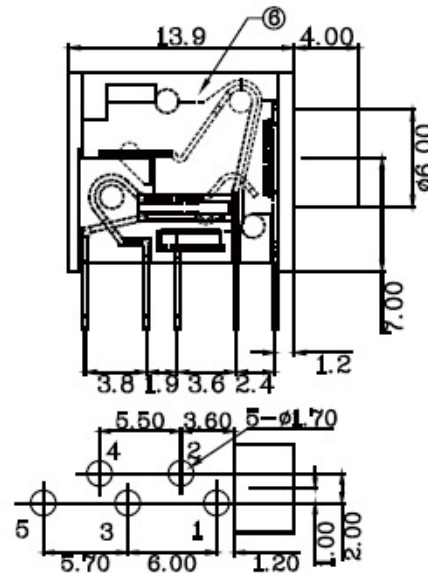


Part No.: EPJ35-2508P-05- -L  
See Table

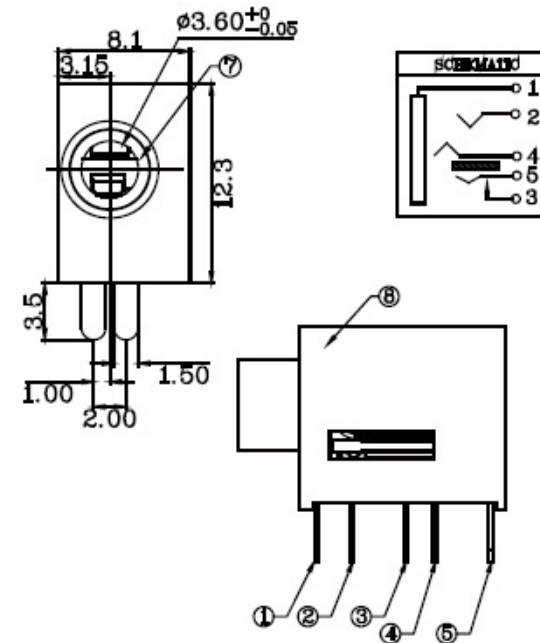
Table

NO.	EPJ35-2508P-05X-L	PANTONE
PK	PINK	701C
U	BLACK	
W	WHITE	577C
Y	YELLOW	123C
OR	ORANGE	157C
LU	LIGHT BLUE	284C

NO.	NAME	MATERIAL	FINISH	Q'TY
1	PIN1	BRASS $t=0.3$	TIN PLATED	1
2	PIN2	PHOSPHOR BRONZE $t=0.30$	TIN PLATED	1
3	PIN3	PHOSPHOR BRONZE $t=0.25$	TIN PLATED	1
4	PIN4	PHOSPHOR BRONZE $t=0.30$	TIN PLATED	1
5	PIN5	PHOSPHOR BRONZE $t=0.30$	TIN PLATED	1
6	COVER	PBT+FIBRE		1
7	BUSHING	BRASS	NICKEL PLATED	1
8	HOUSING	PBT+FIBRE		1



Recommended PCB Layout  
(PCB TOLERANCE  $\pm 0.05$ )



**TOPTEK**  
HARDWARE ELECTRONIC COMPONENTS



www.toptek-co.com