

E.SATA Conn. Series

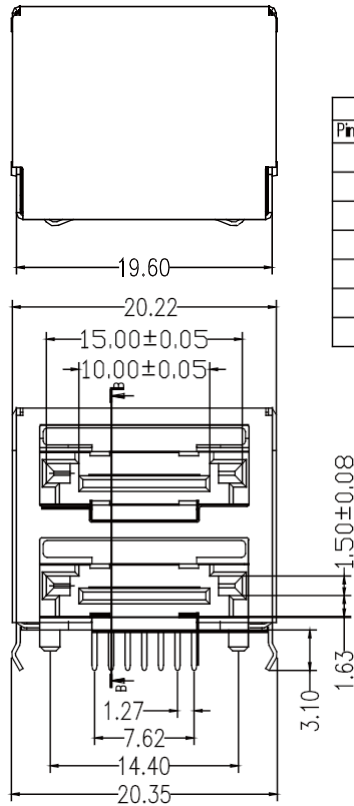
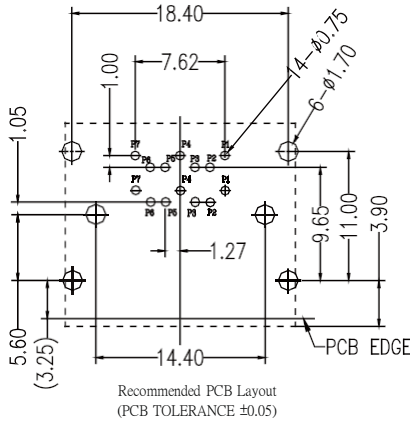
Specifications

Current Rate:1.5 AMP
Insulation Resistance:1000M Ω Min.
Contact Resistance:30 m Ω Max.
Dielectric Voltage:500V AC for one minute
Operation Temperature:-55 °C to +125°C

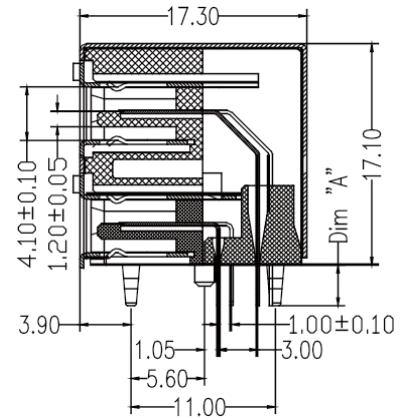
Material

Insulator:Polyester,UL 94V-0
©Standard: Housing:Nylon 46
eSATA:Nylon 46
Terminal:Brass
Plating:Selective Plating

P/N	Dim. A
ESATA2D-14SR-1-L	3.10
ESATA2D-14SR-2-L	2.15



Pin Number	Signal Name	eSATA
P1	GND	
P2	RX+	
P3	RX-	
P4	GND	
P5	TX-	
P6	TX+	
P7	GND	



Part No.:ESATA2D-14SB-U

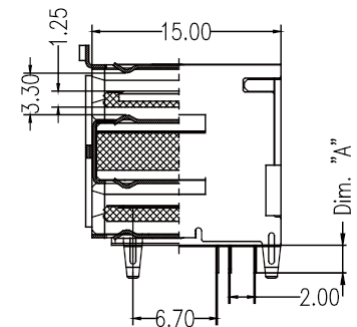
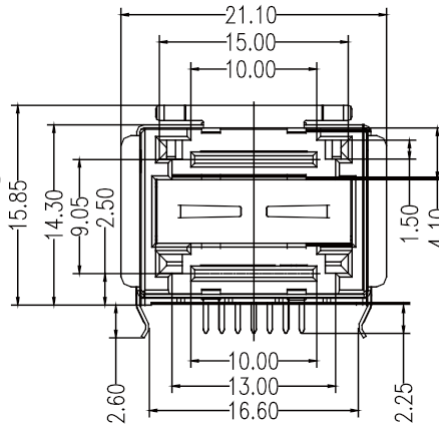
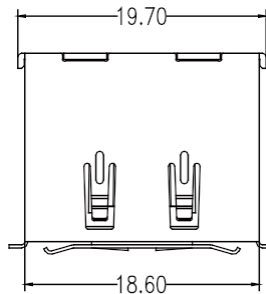
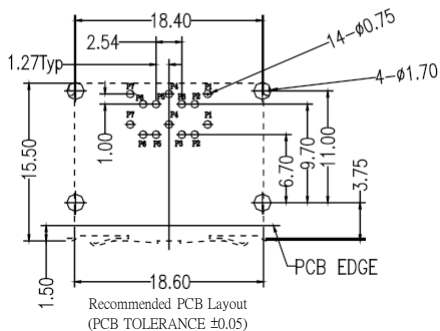
Specifications

Current Rate:1.5 AMP
Insulation Resistance:1000M Ω Min.
Contact Resistance:30 m Ω Max.
Dielectric Voltage:500V AC for one minute
Operation Temperature:-55 °C to +125 °C

Material

Insulator:Polyester,UL 94V-0
©Standard: Housing:PBT
Retainer:Nylon 66
Terminal:Brass
Plating:Selective Plating

P/N	Dim. A
ESATA2E-14SB-1-L	3.10
ESATA2E-14SB-2-L	2.15



Part No.:ESATA2E-14SB-L