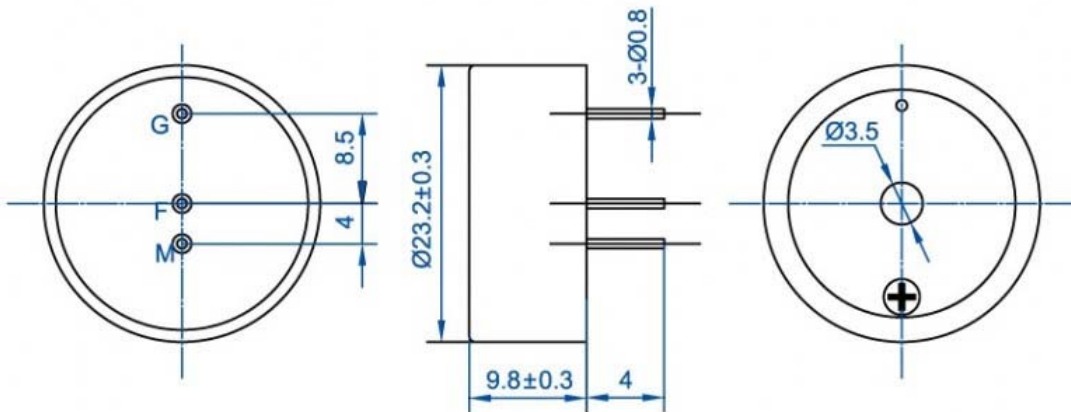




MODEL NO.:F2410-3
Dimensions(mm):23.2x9.8
Operating Voltage(VDC): 3~28
Resonant Freq.(Hz):3400
SPL(dB):90min at 10cm



Model	Model	F2410-3-TB-12-3.4-R4-R
2	Rated Voltage (VDC)	12
3	Operating Voltage (VDC)	3~28
4	*Rated Current (mA)	≤12
5	*Sound Output at 10 cm (dB)	≥90
6	*Resonant Frequency (Hz)	3400±500
7	Operating Temperature (°C)	-20~+65
8	Storage Temperature (°C)	-30~+75
9	Weight (g)	3.3
10	Case material and colour	PBT/White
11	RoHS	Yes