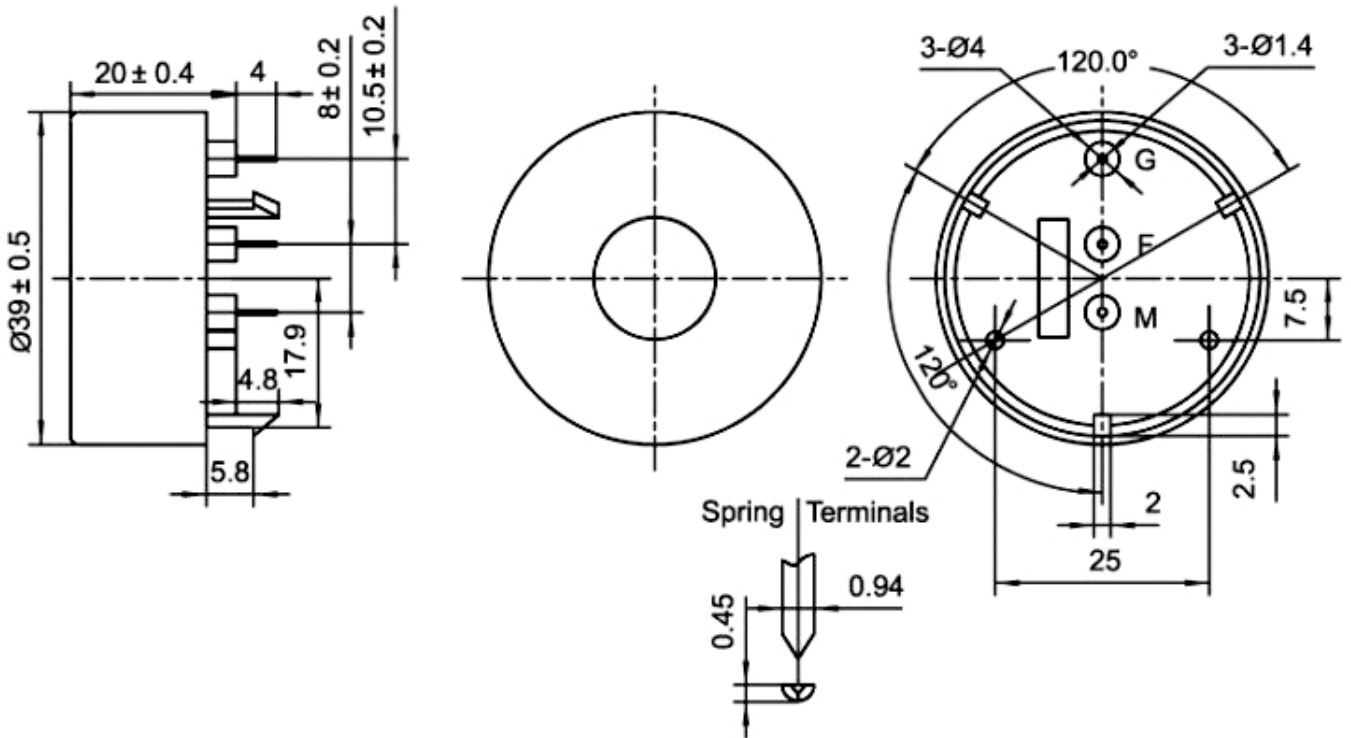


MODEL NO.:F3917B
 Dimensions(mm):39x20
 Operating Voltage(Vp-p): 3~28
 Resonant Freq.(Hz):3400
 SPL(dB):95min at 1M at 9Vp-p



1	Model	F3917B-GO-09-3.4-R
2	Rated Voltage (VDC)	9
3	Operating Voltage (VDC)	3~28
4	*Rated Current (mA)	≤9
5	*Sound Output at 1m (dB)	≥95
6	*Resonant Frequency (Hz)	3400±300
7	Operating Temperature (°C)	-20 ~ +70
8	Storage Temperature (°C)	-30 ~ +80
9	Weight (g)	14.5
10	Housing Material	Black PPO and Nylon
11	RoHS	Yes