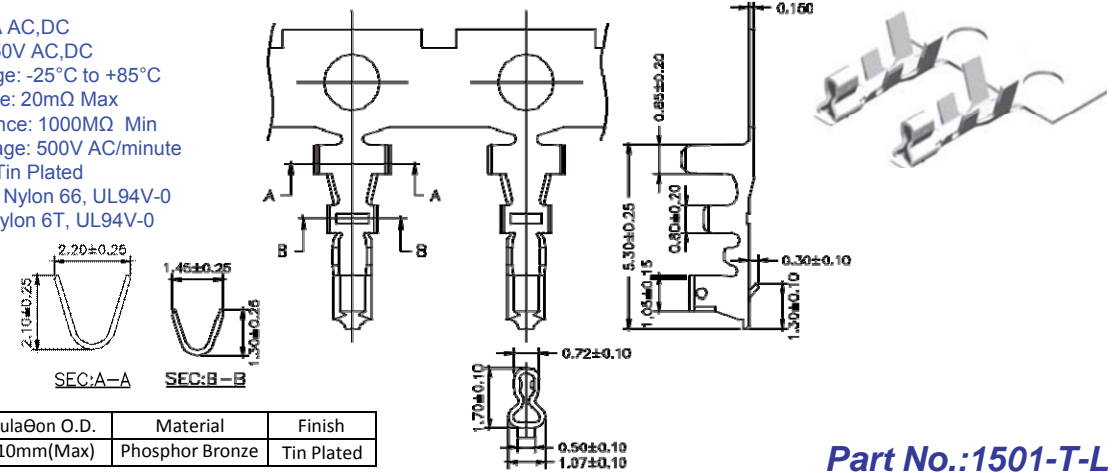


1.5mm Terminal / Housing / Wafer SMT Straight / SMT R/A Type

Specifications
 Current Rating: 3A AC,DC
 Voltage Rating: 350V AC,DC
 Temperature Range: -25°C to +85°C
 Contact Resistance: 20mΩ Max
 Insulation Resistance: 1000MΩ Min
 Withstanding Voltage: 500V AC/minute
 Terminal: Brass / Tin Plated
 Material: Housing: Nylon 66, UL94V-0
 Wafer: Nylon 6T, UL94V-0

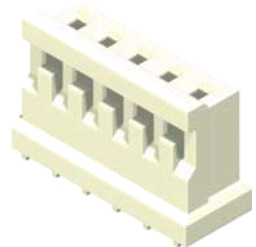
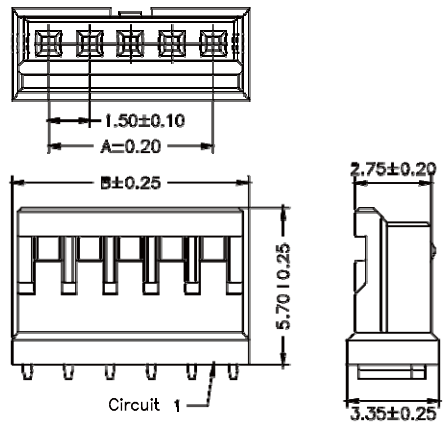


Wire Range	Insulaθon O.D.	Material	Finish
#24-#28	1.10mm(Max)	Phosphor Bronze	Tin Plated

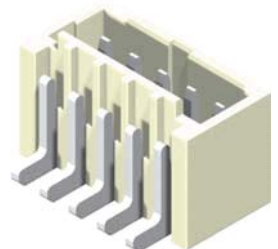
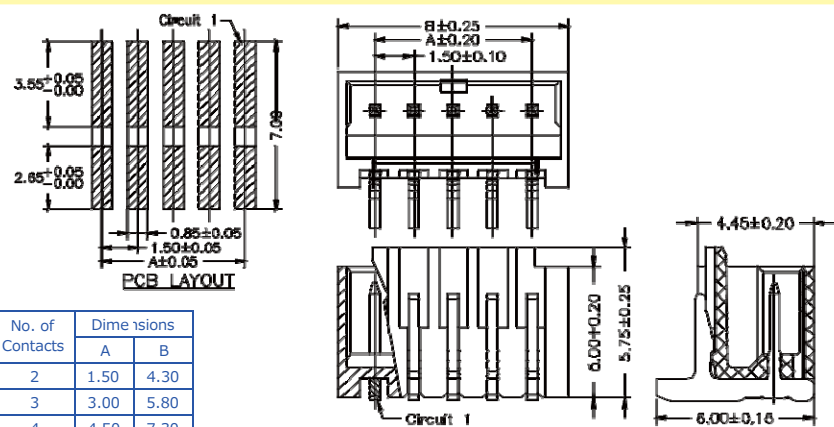
Part No.:1501-T-L

Housing Wafer Terminal

No. of Contacts	Dimensions	
	A	B
2	1.50	4.10
3	3.00	5.60
4	4.50	7.10
5	6.00	8.60
6	7.50	10.10
7	9.00	11.60
8	10.50	13.10
9	12.00	14.60
10	13.50	16.10
11	15.00	17.60
12	16.50	19.10
13	18.00	20.60
14	19.50	22.10
15	21.00	23.60

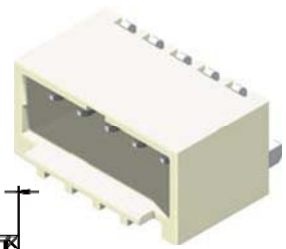
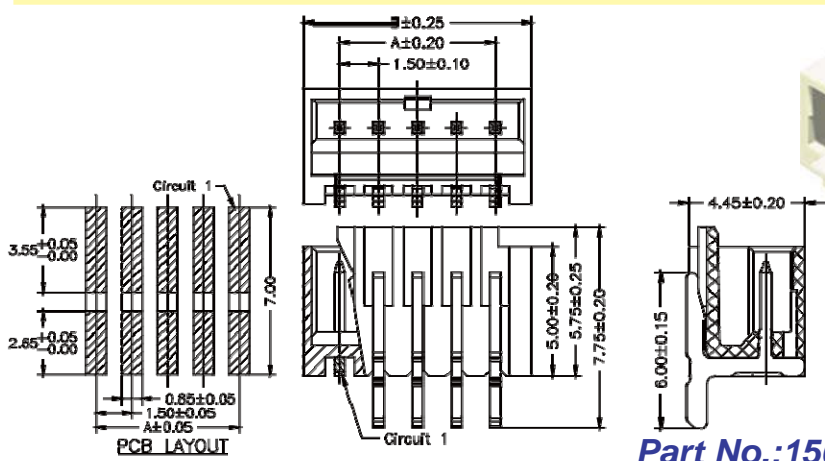


Part No.:1501H-XXW-L



Part No.:1501MS-XXTW-U

No. of Contacts	Dimensions	
	A	B
2	1.50	4.30
3	3.00	5.80
4	4.50	7.30
5	6.00	8.80
6	7.50	10.30
7	9.00	11.80
8	10.50	13.30
9	12.00	14.80
10	13.50	16.30
11	15.00	17.80
12	16.50	19.30
13	18.00	20.80
14	19.50	22.30
15	21.00	23.80



Part No.:1501MR-XXTW-U