

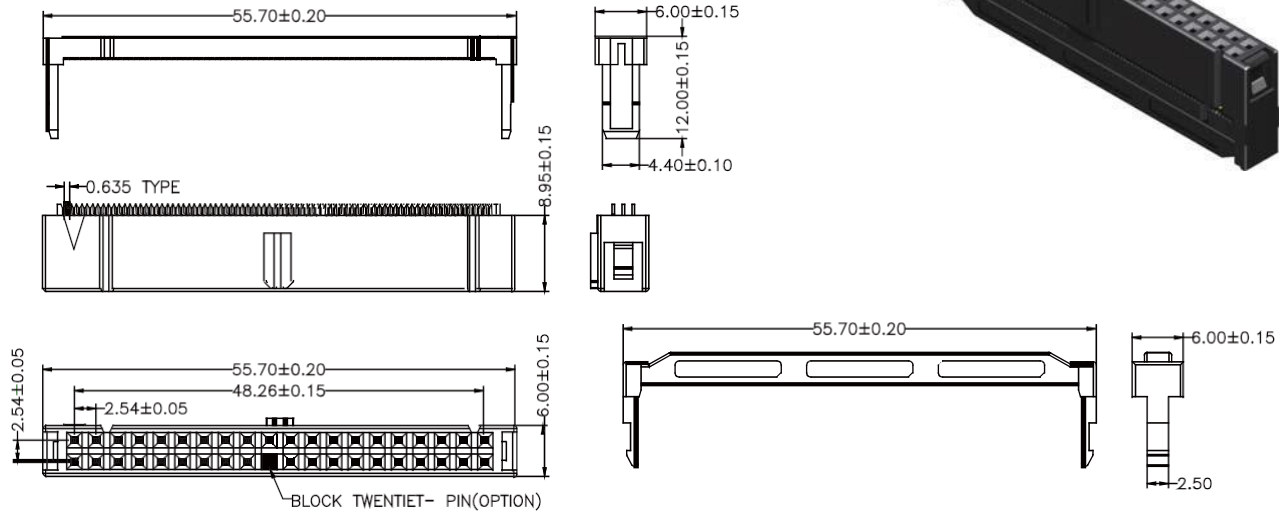
IDC Socket 2.54mm ATA Connector With SR

Specifications

Current Rate:2.5AMP
Insulation Resistance:1000MΩ Min
Contact Resistance:20mΩ Max
Dielectric Voltage:1000V AC for one minute
Operation Temperature:-55°C to +105°C

Material

Insulator:Polyester,UL 94V-0
Standard:PBT
Terminal:Copper Alloy



Part No.:IDC1C-80-L

IDC Socket

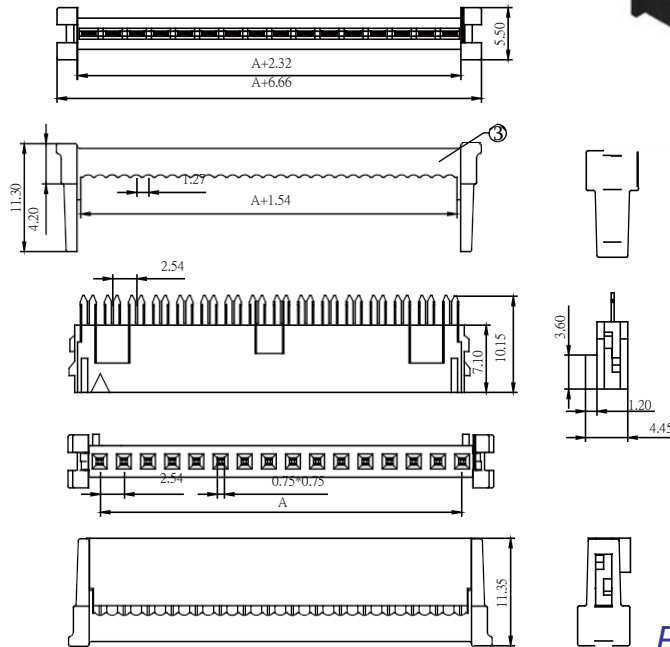
IDC Socket 2.54mm With SR

Specifications

Current Rate:3 AMP
Insulation Resistance:1000MΩ Min
Contact Resistance:20mΩ Max
Dielectric Voltage:500V AC for one minute
Operation Temperature:-40°C to +105°C

Material

Insulator:Polyester,UL 94V-0
Standard:PBT
Terminal:Copper Alloy



No. of Contacts	Dim. A
8P	17.78
10P	22.86
14P	33.02
16P	38.10
24P	58.42

Part No.:IDC1D-XX-L

I D C 1 C

I D C 1 D - X X

