

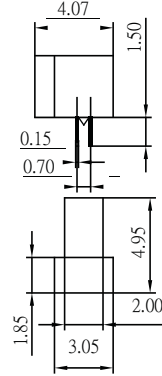
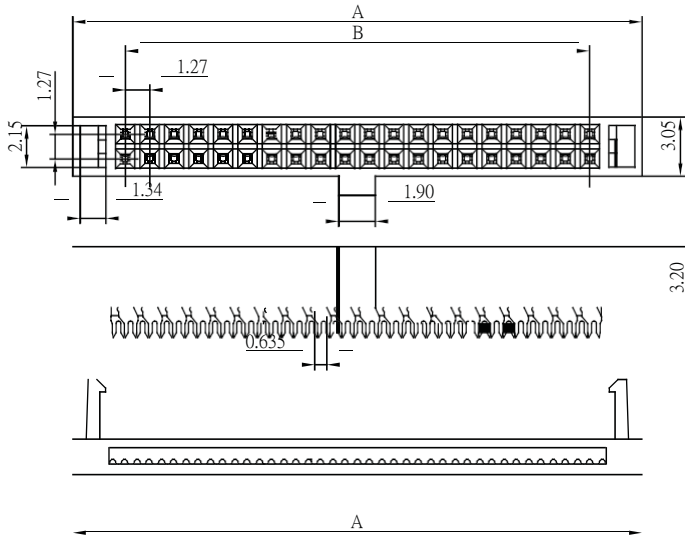
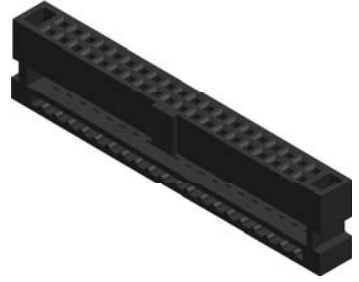
IDC Socket 1.27x1.27mm

Specifications

Current Rate:1 AMP
Insulation Resistance:1000MΩ Min
Contact Resistance:20mΩ Max
Dielectric Voltage:500V AC for one minute
Operation Temperature:-40°C to +65°C

Material

Insulator:Polyester,UL 94V-0
◎Standard:PBT
Terminal:Copper Alloy



◎Mate with flat cable Pitch 0.635 mm

No. of Contacts	Dim. A	Dim. B
10	10.54	5.08
12	11.81	6.35
20	16.89	11.43
26	20.70	15.24
30	23.24	17.78
34	25.78	20.32
40	29.59	24.13
44	32.13	26.67
50	35.94	30.48
60	42.29	36.83
68	47.37	41.91
80	54.99	49.53

Part No.:IDC4-XX-L

IDC Socket

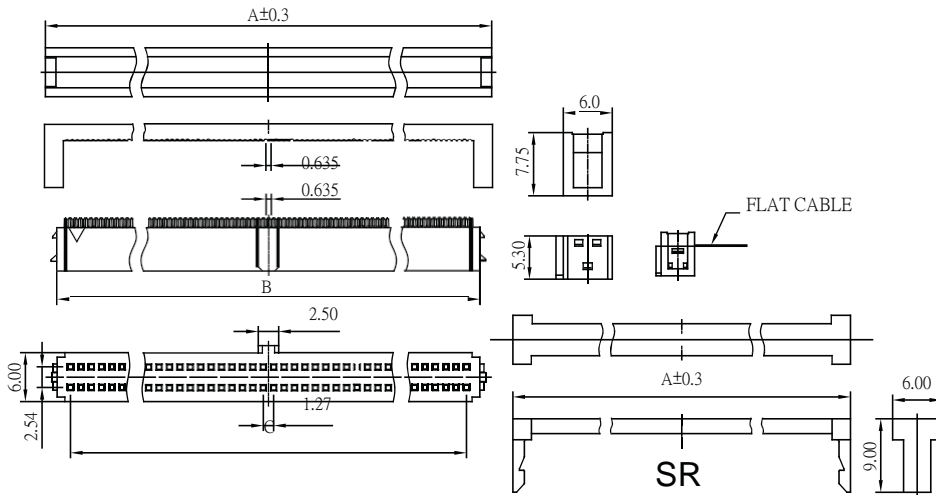
IDC Socket 1.27x2.54mm

Specifications

Current Rate:1 AMP
Insulation Resistance:1000MΩ Min
Contact Resistance:20mΩ Max
Dielectric Voltage:500V AC for one minute
Operation Temperature:-40°C to +65°C

Material

Insulator:Polyester,UL 94V-0
◎Standard:PBT
Terminal:Copper Alloy



◎Mate with flat cable Pitch 0.635 mm

No. of Contacts	Dim. A	Dim. B	Dim C
10	11.35	8.45	5.08
16	15.16	12.26	8.89
20	17.70	14.80	11.43
26	21.51	18.61	15.24
30	24.05	21.15	17.78
34	26.59	23.69	20.32
40	30.40	27.50	24.13
50	36.75	33.85	30.48
60	43.10	40.20	36.83
68	48.18	45.28	41.91
80	55.80	52.90	49.53
100	68.50	65.60	62.23

Part No.:IDC3-XX-L

