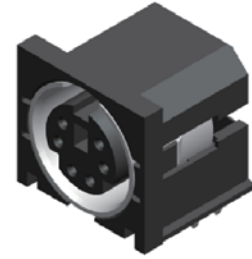
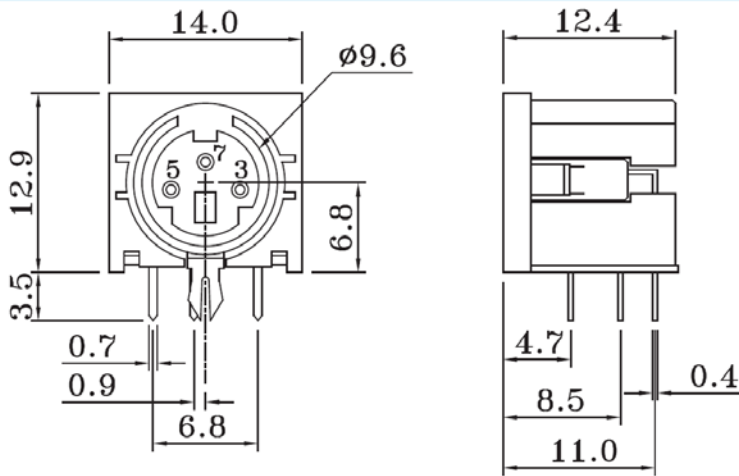


# CONNECTORS MANUFACTURER

## Mini Din Jack Plastic Fork Type 3~9Pin



Part No.: MDJ-508E-□A-L  
3~9 PORTS

No.	Name	Qty	Material	Remarks & Thickness	Finish
1	Housing	1	PBT		Black
2	Contact	3~9	Phos. Bronze	NI-10u, Tin-3u Gold-1-3u*	Gold/Tin Plated
3	Ground	1	Brass	Tin:3-5u	Tin Plated
4	Back Cover	1	PBT		Black

Add Shell Part No.	3 Port MDJ-508E-3A-L	4 Port MDJ-508E-4A-L	5 Port MDJ-508E-5A-L	6 Port MDJ-508E-6A-L
Housing Contacts				
Recommended PCB Layout Bottom View				
Add Shell Part No.	7 Port MDJ-508E-7A-L	8 Port MDJ-508E-8A-L	9 Port MDJ-508E-9A-L	
Housing Contacts				
Recommended PCB Layout Bottom View				

Mini Din Jack

RoHS