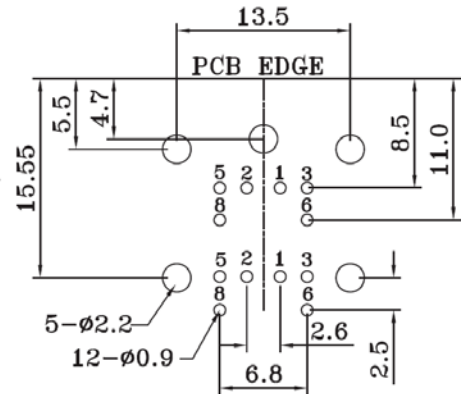
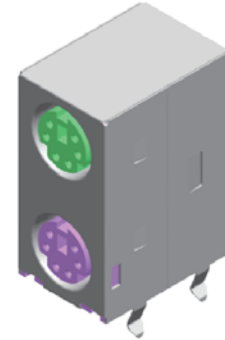
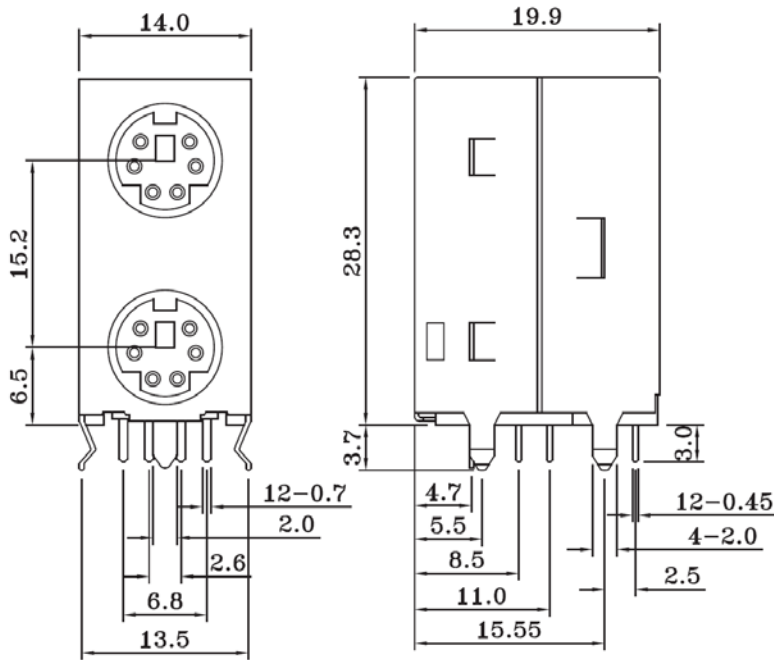


# CONNECTORS MANUFACTURER

## Mini Din Jack Dual Port Green/Purple 6Pin

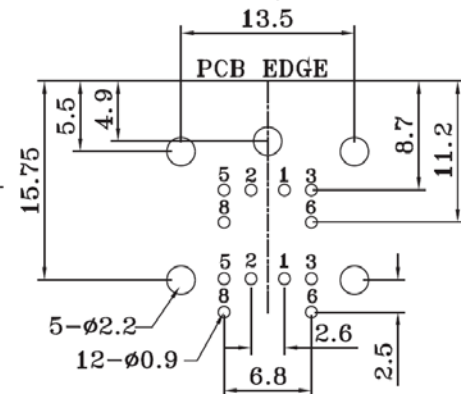
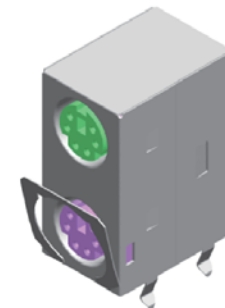
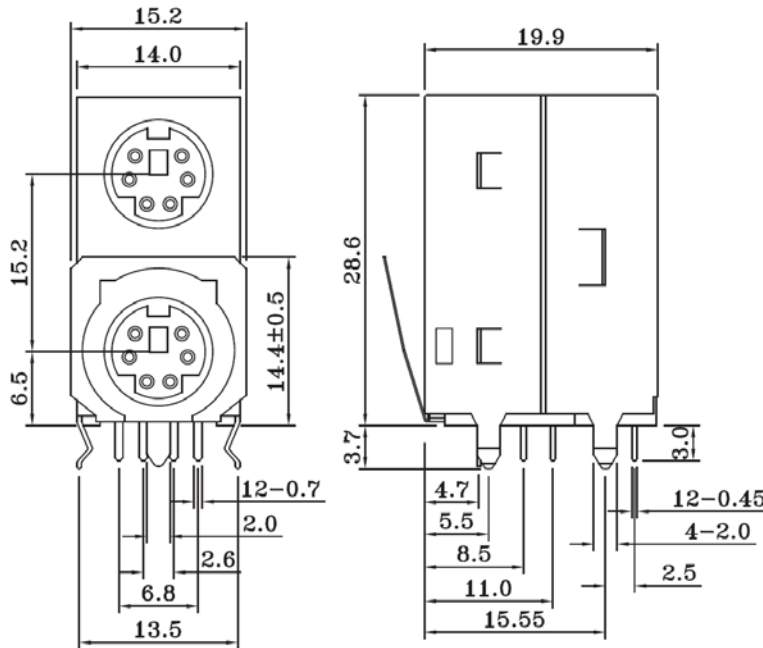


PCB LAYOUT  
(BOTTOM VIEW)

Part No.:MDJ-608E-6A-L

No.	Name	Qty	Material	Remarks & Thickness	Finish
1	Top Housing	1	PBT		Green,3395C
2	Bottom Housing	1	PBT		Purple,2715C
3	Back Cover	1	PBT		Purple,2715C
4	Contact Term.	12	Phos. Bronze	NE-1.5u, Tin:3u Gold:1.5u	Gold/Tin Plated
5	Front Shield	1	Brass	Tin:3-5u	Tin Plated
6	Back Shiled	1	Brass	Tin:3-5u	Tin Plated

## Mini Din Jack Dual Port Green/Purple 6Pin With Grounding



PCB LAYOUT  
(BOTTOM VIEW)

Part No.:MDJ-608ES-6A-L

No.	Name	Qty	Material	Remarks & Thickness	Finish
1	Top Housing	1	PBT		Green,3395C
2	Bottom Housing	1	PBT		Purple,2715C
3	Back Cover	1	PBT		Purple,2715C
4	Contact Term.	12	Phos. Bronze	NE-1.5u, Tin:3u Gold:1.5u	Gold/Tin Plated
5	Front Shield	1	Brass	Tin:3-5u	Tin Plated
6	Back Shiled	1	Brass	Tin:3-5u	Tin Plated
7	Ground Shiled	1	Stainless		0.2 THK

Mini Din Jack

ROHS