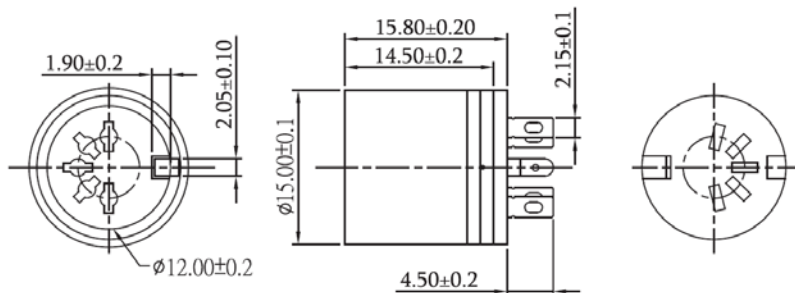


Din Jack Molded Type 3~8Pin

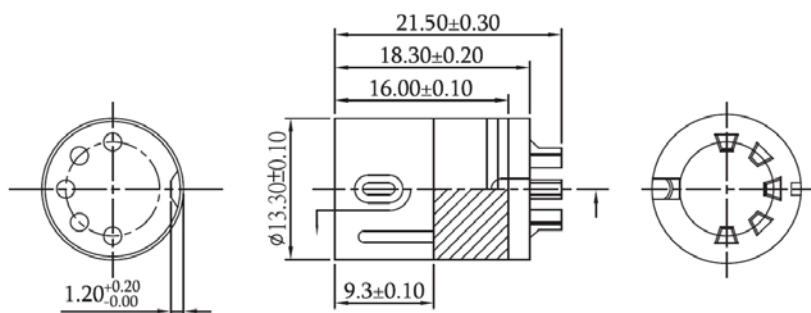


Part No.: **DINM-F** **TB-L**
3~8 PORTS

No. of Contacts	3(180°)	4(210°)	5(180°)	6(240°)	7(270°)	8(270°)
Position						

No.	Name	Qty	Material	Remarks & Thickness	Finish
1	Shell	1	Copper Alloy	T=0.40mm	Nickel Plated
2	Contact	3~8	Copper Alloy	T=0.60mm	Tin Plated
3	Housing	1	PBT	UL 94-V0	Black/Ivory/Gray
4	Grounding Strip	2	Stainless	T=0.20mm	Tin Plated

Din Plug Molded Type 3~8Pin



Part No.: **DINM-M** **SB-L**
3~8 PORTS

No. of Contacts	3(180°)	4(210°)	5(180°)	6(240°)	7(270°)	8(270°)
Position						

No.	Name	Qty	Material	Remarks & Thickness	Finish
1	Contact	3~8	Copper Alloy	T=0.20mm	Selective
2	Housing	1	PBT	UL 94-V0	Black
3	Shell	1	Copper Alloy	T=0.40mm	Nickel Plated