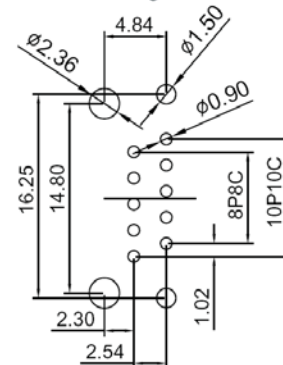
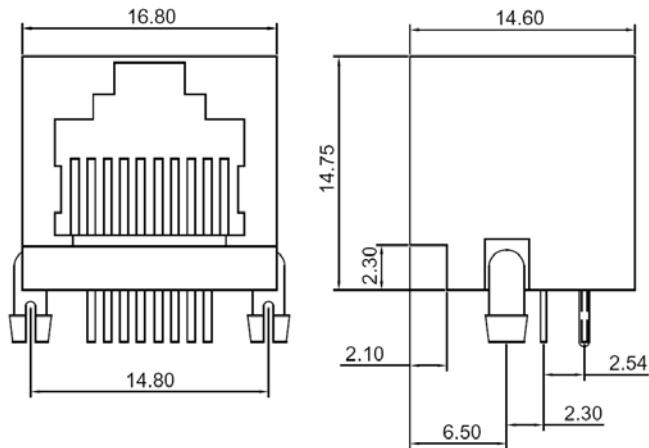
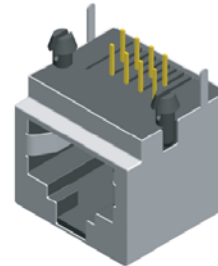


## Modular Jack Shielded Side Entry H=14.75 W=14.6

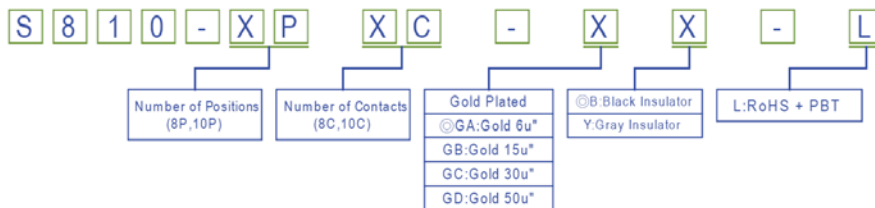
### Material & Finish:

Housing: Glass Fiber, PBT. UL94V-0  
 Contact: 0.35 mm Thickness Phosphor Bronze,  
 Gold Plated Over Nickel on Contact Area,  
 Tin Plated Over Nickel on Solder Area.



Recommended PCB Layout  
 (PCB TOLERANCE ±0.05)

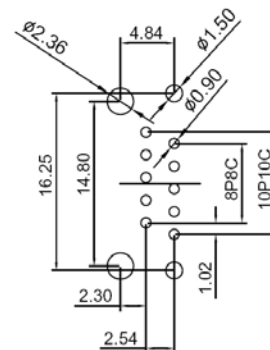
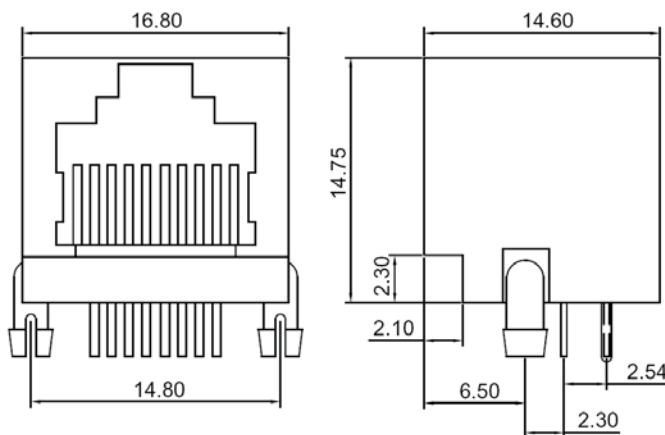
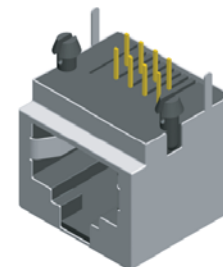
### Order Information



## Modular Jack Shielded Side Entry H=13.4 W=15.6

### Material & Finish:

Housing: Glass Fiber, PBT . UL94V-0  
 Contact: 0.35 mm Thickness Phosphor Bronze,  
 Gold Plated Over Nickel on Contact Area,  
 Tin Plated Over Nickel on Solder Area.



Recommended PCB Layout  
 (PCB TOLERANCE ±0.05)

### Order Information

